



**SAFIT Srl**

Via Casonetto,17  
36050 Friola (VI)  
-- ITALY --  
Tel.0444 668335

MADE IN ITALY

**Technical Data Sheet  
Steel toe cap**

Tabella Dimensionale

Puntali Acciaio

Type

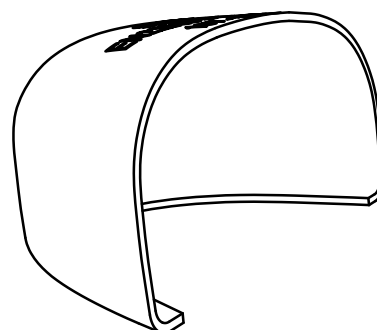
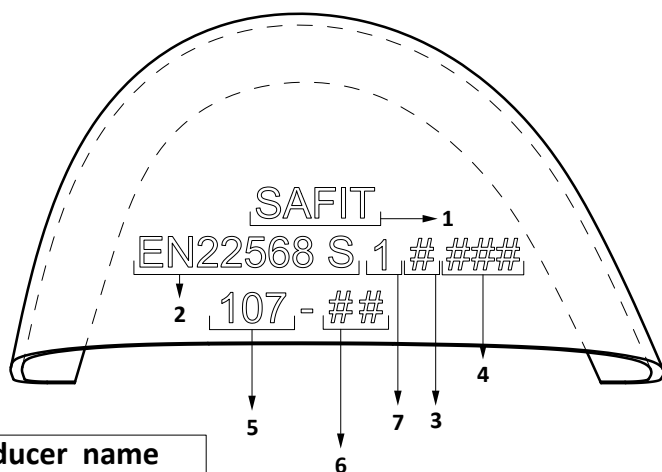
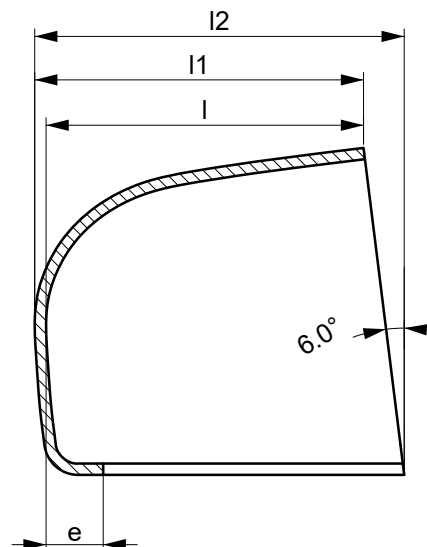
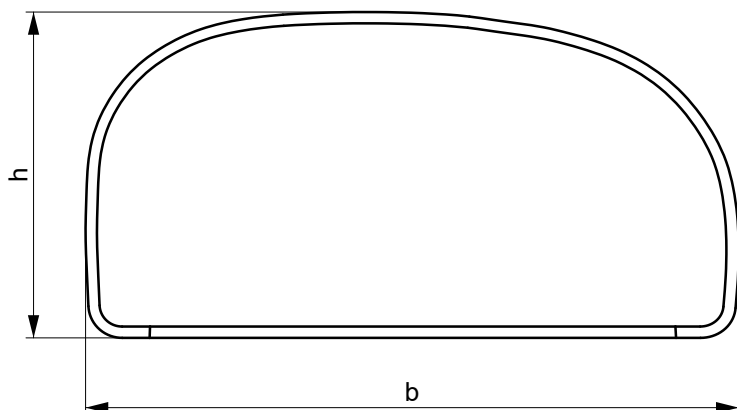
Modello

**101**

Written by: Nikola Kostic

Date: 07/01/2023

Rev.02



1	producer name
2	normative ref.
3	type A or B
4	batch number
5	model
6	size/R or L
7	metallic toe caps ref.

average hardness of steel releaved  
on the top of the toe in the center position : HRc = 48 ± 2

dimension unit:		millimeter										KG	
Tolerance:		±0,05	±0,7	±0,5	±1	±1	±1	-2/ +2	Minimal requirement of		Average performance		± 0,010
Size #	strip lenght - code ref.:	raw material thickness	b	h	l1	l2	l	e	ISO EN 22568:1 A	ISO EN 22568:1 B	200J	15KN	Weight (1 pairs)
4													
5													
6		1,6	75,2	39,3	40,0	45,0	38,4	8,0	20,0	24,0	23,0	30,0	0,146
7		1,6	78,0	40,7	40,6	44,3	39,0	8,0	20,5	24,5	24,0	33,0	0,158
8		1,6	82,0	41,4	41,8	45,8	40,2	8,0	21,0	25,0	25,0	34,5	0,172
9		1,5	84,9	42,3	43,4	46,5	41,9	8,0	21,5	25,5	26,5	35,0	0,168
10		1,5	89,5	46,4	47,0	51,0	45,5	8,0	22,0	26,0	29,0	36,0	0,198
11													
12													

Conformity to the norm Conforme alle norme	<input checked="" type="checkbox"/> ISO EN 22568:1 A	<input type="checkbox"/> ISO EN 22568:1 B	<input checked="" type="checkbox"/> ANSI/ASTM	<input checked="" type="checkbox"/> CSA
---	--	---	---	---