



**SAFIT Srl**

Via Casonetto,17  
36050 Friola (VI)  
-- ITALY --  
Tel.0444 668335

MADE IN ITALY

**Technical Data Sheet**  
**Composite toe cap**

*Tabella Dimensionale*  
*Puntali Composito*

**Type**

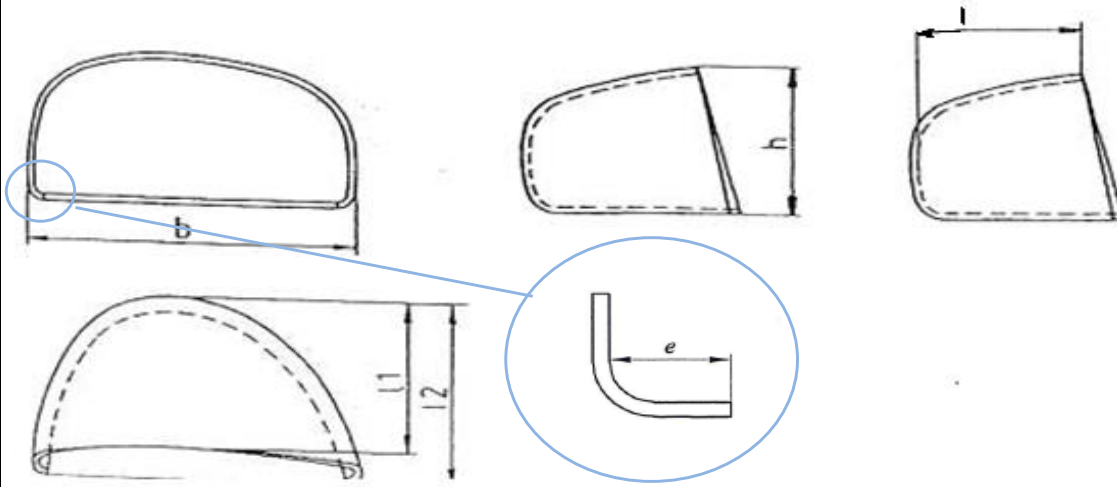
*Modello*

**1010**

Written by: Nikola Kostic

Date: 01/12/2016

Rev.00



dimension unit:		millimetre										KG	
Tolerance:		±0,05	±0,7	±0,5	±1	±1	±1	-2/+2	Minimal requirement of		Average performance		± 0,010
Size #	strip lenght code ref.:	raw material thickness	b	h	l1	l2	l	e	ISO EN 22568:1 A	ISO EN 22568:1 B	200J	15KN	Weight (1 pairs)
6													
7			82,3	45,3	49,2	51,8		8,0	20,5	24,5	24,0	30,0	0,088
8			87,8	45,9	50,9	53,7		8,0	21,0	25,0	24,5	30,5	0,098
9			88,6	46,6	52,0	54,9		8,0	21,5	25,5	25,5	31,0	0,105
10			94,0	52,0	94,0	61,5		8,0	22,0	26,0	31,0	36,5	0,134
11													
Conformity to the norm <i>Conforme alle norme</i>			<input checked="" type="checkbox"/> ISO EN 22568:2 A				<input type="checkbox"/> ISO EN 22568:2 B		<input type="checkbox"/> ANSI/ASTM		<input type="checkbox"/> CSA		