



SAFIT Srl

Via Casonetto,17
36050 Friola (VI)
-- ITALY --
Tel.0444 668335

Technical Data Sheet
Fiber glass toe cap

Tabella Dimensionale
Puntali Fibra Vetro

Type

Modello

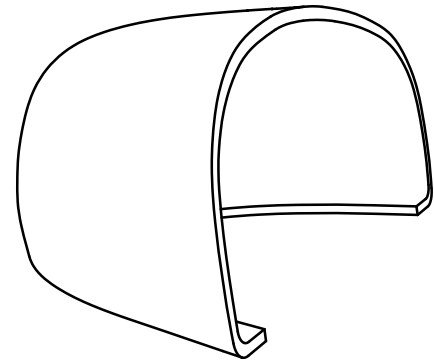
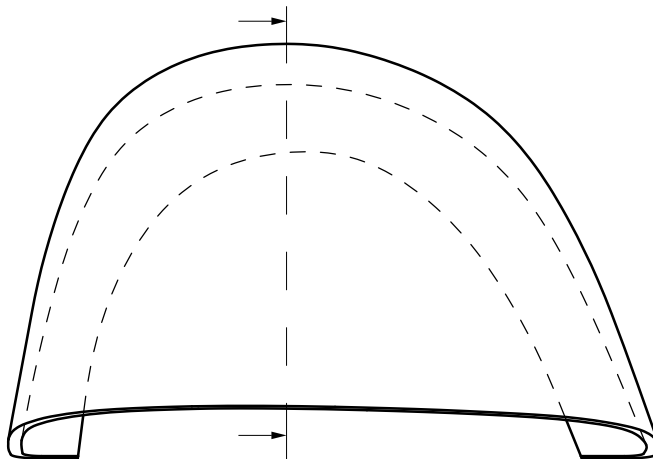
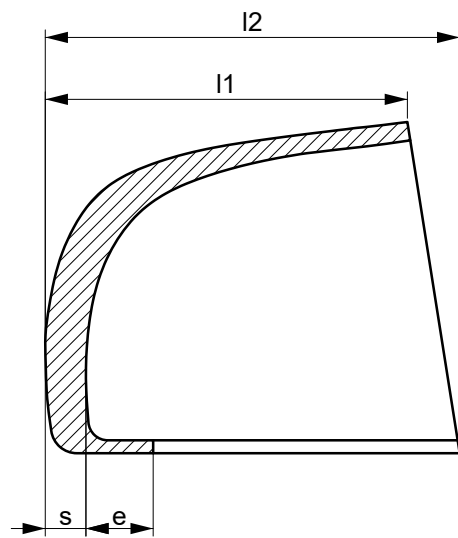
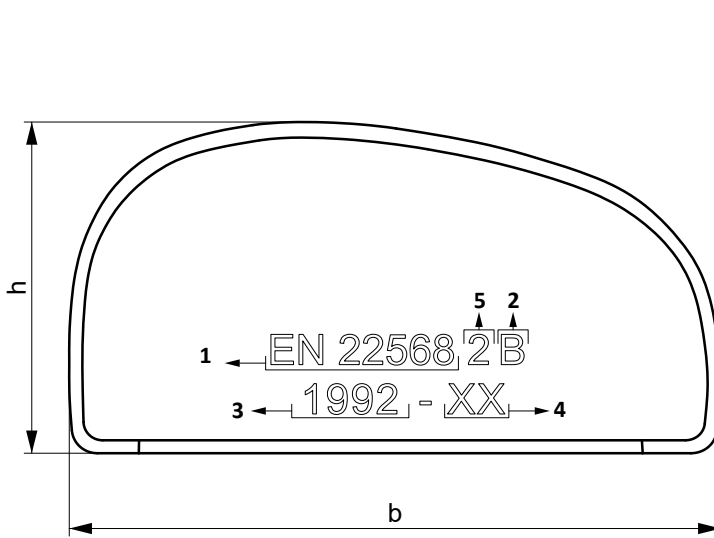
1992

MADE IN ITALY

Written by: Nikola Kostic

Date: 07/01/2023

Rev.02



1	normative ref.
2	type A or B
3	model
4	size/R or L
5	no metallic toe caps ref.

dimension unit:		millimeter										KG	
Tolerance:		±0,7	±0,5	±1	±1	±1	-2/ +2	Minimal requirement of		Average performance		± 0,010	
Size #	strip lenght - code ref.:	s (max thickness)	b	h	l1	l2	l	e	ISO EN 22568:1 A	ISO EN 22568:1 B	200J	15KN	Weight (1 pairs)
4													
5													
6		7,5	85,8	46,6	47,3	51,8		8,0	20,0	24,0	22,0	34,0	0,117
7		7,5	88,5	46,2	49,0	53,3		8,0	20,5	24,5	22,5	36,0	0,117
8		7,0	92,3	49,3	50,7	56,0		8,0	21,0	25,0	25,0	38,0	0,128
9		6,0	94,5	49,5	52,5	57,6		8,0	21,5	25,5	26,0	39,0	0,137
10		6,5	100,0	51,5	56,2	61,8		8,0	22,0	26,0	26,5	40,0	0,151
11		6,5	103,4	53,0	57,4	63,0		8,0	22,0	26,0	28,5	41,0	0,161
12													

Conformity to the norm Conforme alle norme	<input checked="" type="checkbox"/> ISO EN 22568:1 A	<input type="checkbox"/> ISO EN 22568:1 B	<input type="checkbox"/> ANSI/ASTM	<input type="checkbox"/> CSA
---	--	---	------------------------------------	------------------------------