



SAFIT Srl
 Via Casonetto,17
 36050 Friola (VI)
 -- ITALY --
 Tel.0444 668335

Technical Data Sheet
Fibre carbon toe cap

Tabella Dimensionale
Fibra di Carbonio

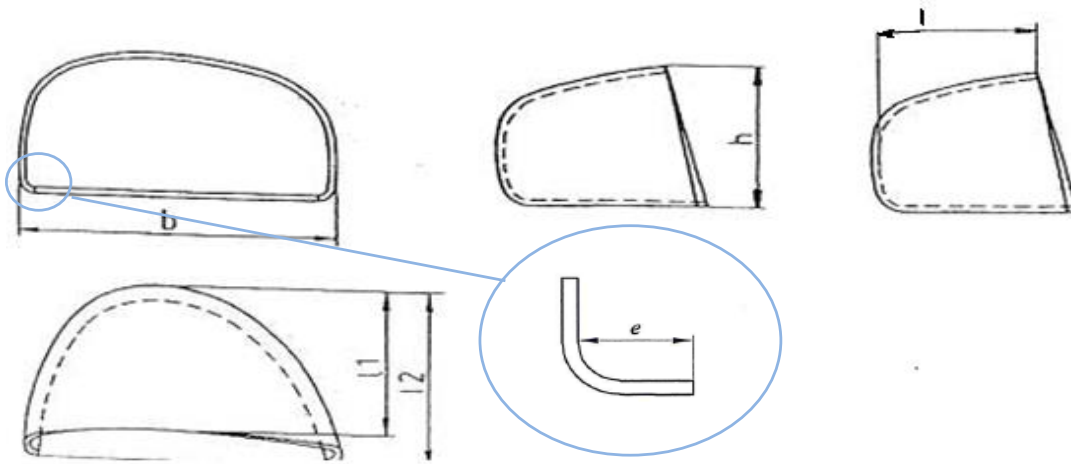
Type Modello

2100

Written by: Nikola Kostic

Date: 01/12/2016

Rev.00



dimension unit:		millimetre											KG
Tolerance:		±0,05	±0,7	±0,5	±1	±1	±1	-2/ +2	Minimal requirement of		Average performance		± 0,010
Size #	strip lenght code ref.:	raw material thickness	b	h	l1	l2	l	e	ISO EN 22568:1 A	ISO EN 22568:1 B	200J	15KN	Weight (f pairs)
3													
4													
5													
6			87,6	43,4	49,4	50,8		8,0	20,0	24,0	24,5	36,0	0,122
7			91,2	44,7	48,7	54,7		8,0	20,5	24,5	25,0	35,5	0,148
8			94,0	48,5	50,3	56,3		8,0	21,0	25,0	25,5	37,0	0,166
9			97,0	47,1	53,0	57,3		8,0	21,5	25,5	26,0	37,0	0,158
10			98,1	48,7	54,3	59,2		8,0	22,0	26,0	27,0	37,5	0,172
11			101,7	52,1	56,0	61,2		8,0	22,0	26,0	27,5	39,0	0,194
12													
13													

Conformity to the norm <i>Conforme alle norme</i>	<input checked="" type="checkbox"/> ISO EN 22568:1 A	<input type="checkbox"/> ISO EN 22568:1 B	<input checked="" type="checkbox"/> ANSI/ASTM	<input checked="" type="checkbox"/> CSA
--	--	---	---	---