



**SAFIT Srl**

Via Casonetto,17  
36050 Friola (VI)  
-- ITALY --  
Tel.0444 668335

**Technical Data Sheet  
Composite toe cap**

**Tabella Dimensionale**

**Puntali Composito**

**Type**

**Modello**

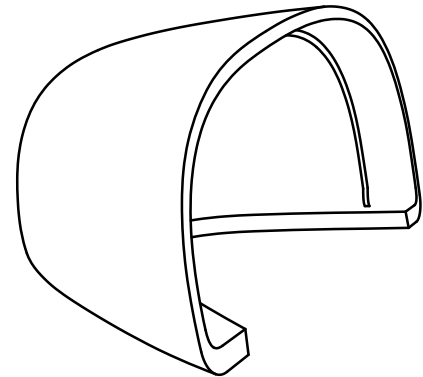
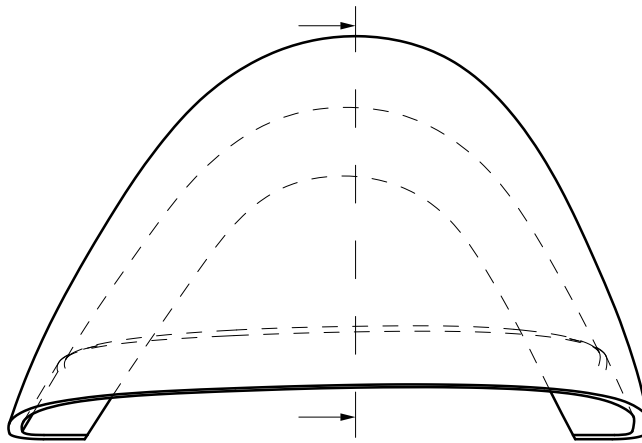
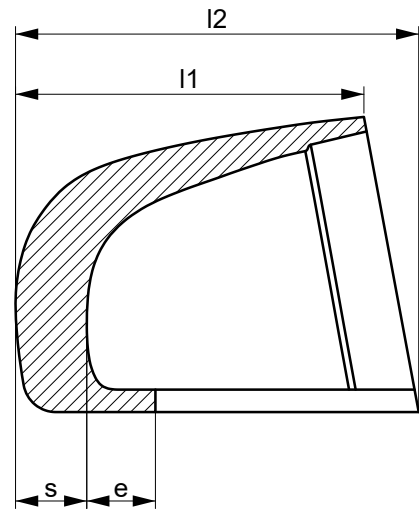
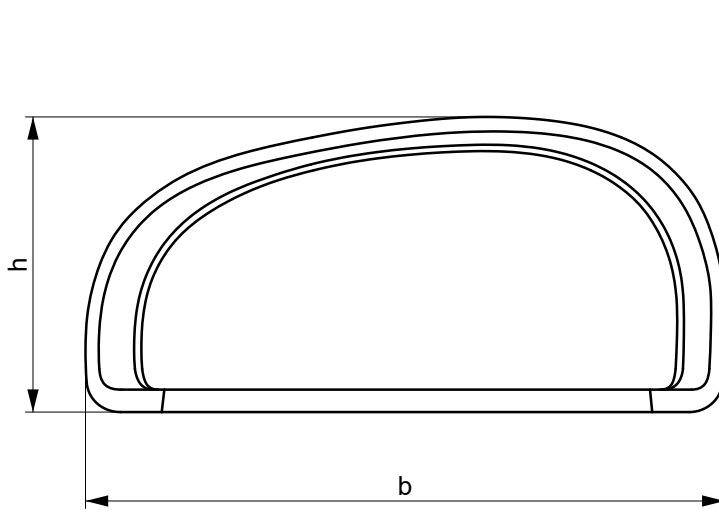
**2150**

MADE IN ITALY

Written by: Nikola Kostic

Date: 07/01/2023

Rev.02



1	producer name
2	normative ref.
3	type A or B
4	model
5	size/R or L
6	no metallic toe caps ref.

dimension unit:		millimeter										KG	
Tolerance:		±0,7	±0,5	±1	±1	±1	-2/ +2	Minimal requirement of		Average performance		± 0,010	
Size #	strip lenght - code ref.:	s (max thickness)	b	h	l1	l2	l	e	ISO EN 22568:1 A	ISO EN 22568:1 B	200J	15KN	Weight (1 pairs)
4													
5		10,0	85,7	42,4	49,2	51,3		8,0	19,5	23,5	23,0	29,5	0,082
6		10,0	90,1	43,5	50,6	53,5		8,0	20,0	24,0	24,0	30,0	0,090
7		9,5	90,4	43,5	54,0	52,5		8,0	20,5	24,5	24,0	30,5	0,090
8		10,0	93,7	43,5	54,1	55,6		8,0	21,0	25,0	25,0	31,5	0,100
9		10,5	94,6	45,2	55,7	58,7		8,0	21,5	25,5	26,5	32,5	0,108
10		10,5	96,2	46,3	58,1	59,7		8,0	22,0	26,0	27,5	33,5	0,116
11													
12													

Conformity to the norm Conforme alle norme	<input checked="" type="checkbox"/> ISO EN 22568:1 A	<input type="checkbox"/> ISO EN 22568:1 B	<input type="checkbox"/> ANSI/ASTM	<input type="checkbox"/> CSA
-----------------------------------------------	------------------------------------------------------	-------------------------------------------	------------------------------------	------------------------------