



SAFIT Srl

Via Casonetto,17
36050 Friola (VI)
-- ITALY --
Tel.0444 668335

MADE IN ITALY

**Technical Data Sheet
Steel toe cap**

Tabella Dimensionale

Puntali Acciaio

Type

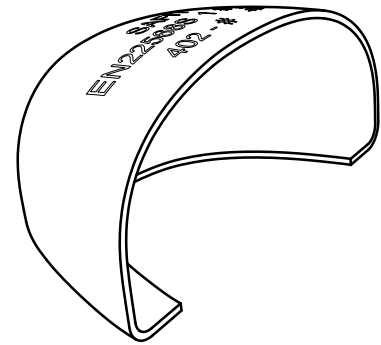
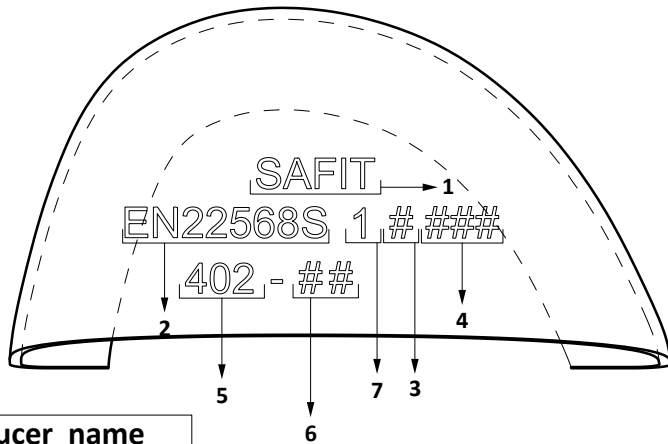
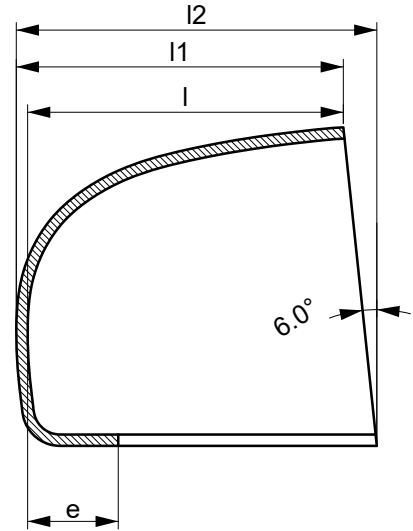
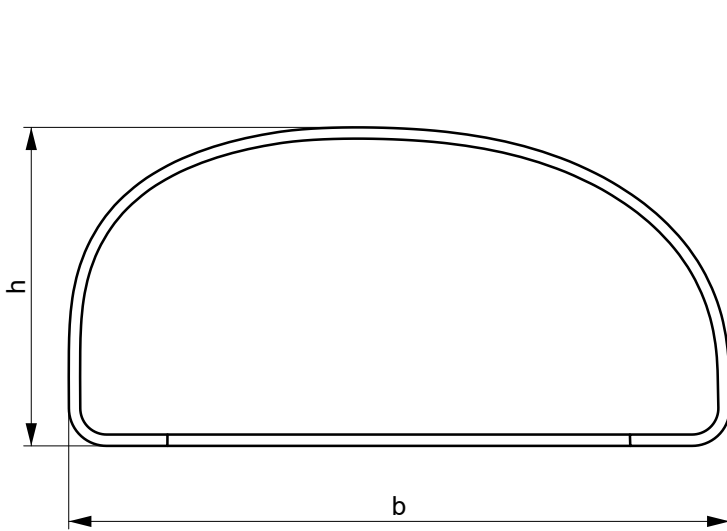
Modello

402

Written by: Nikola Kostic

Date: 07/01/2023

Rev.02



1	producer name
2	normative ref.
3	type A or B
4	batch number
5	model
6	size/R or L
7	metallic toe caps ref.

average hardness of steel releaved
on the top of the toe in the center position : HRc = 48 ± 2

dimension unit:		millimeter							KG				
Tolerance:		±0,05	±0,7	±0,5	±1	±1	±1	-2/+2	Minimal requirement of		Average performance		± 0,010
Size #	strip lenght code ref.:	raw material thickness	b	h	l1	l2	l	e	ISO EN 22568:1 A	ISO EN 22568:1 B	200J	15KN	Weight (1 pairs)
4													
5													
6													
7		1,6	83,7	40,2	41,2	45,3	39,6	8,0	20,5	24,5	24,0	31,0	0,160
8		1,6	86,2	42,3	41,7	46,0	40,1	8,0	21,0	25,0	24,0	32,0	0,172
9		1,5	87,3	43,4	43,5	47,5	42,0	8,0	21,5	25,5	26,0	31,5	0,172
10		1,5	91,0	44,4	45,0	49,8	43,5	8,0	22,0	26,0	25,5	34,5	0,179
11		1,5	93,2	45,0	45,0	49,4	43,5	8,0	22,0	26,0	26,5	34,5	0,182
12													
13													

Conformity to the norm Conforme alle norme	<input checked="" type="checkbox"/> ISO EN 22568:1 A	<input type="checkbox"/> ISO EN 22568:1 B	<input checked="" type="checkbox"/> ANSI/ASTM	<input checked="" type="checkbox"/> CSA
---	--	---	---	---