



**SAFIT Srl**

Via Casonetto,17  
36050 Friola (VI)  
-- ITALY --  
Tel.0444 668335

**Technical Data Sheet  
Steel toe cap**

**Tabella Dimensionale**

**Puntali Acciaio**

**Type**

**Modello**

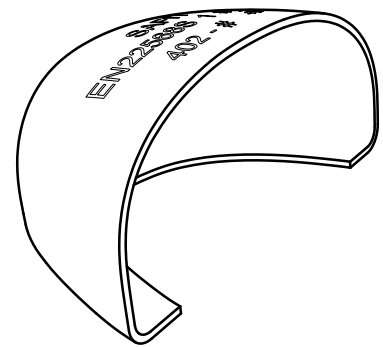
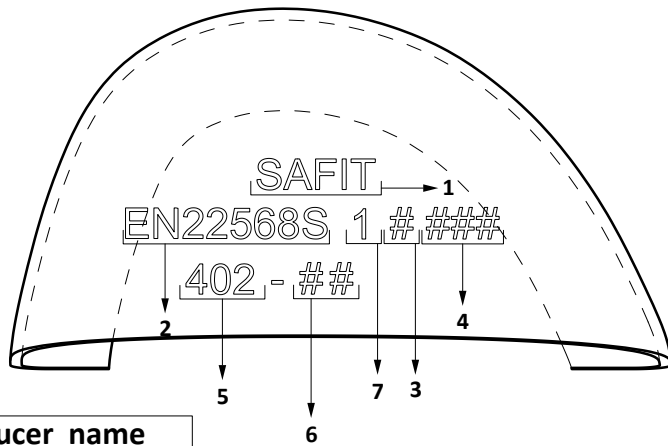
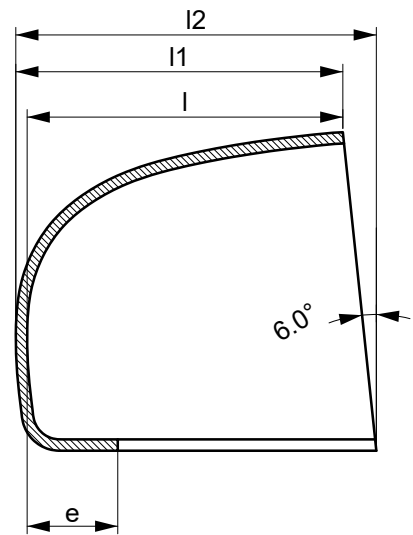
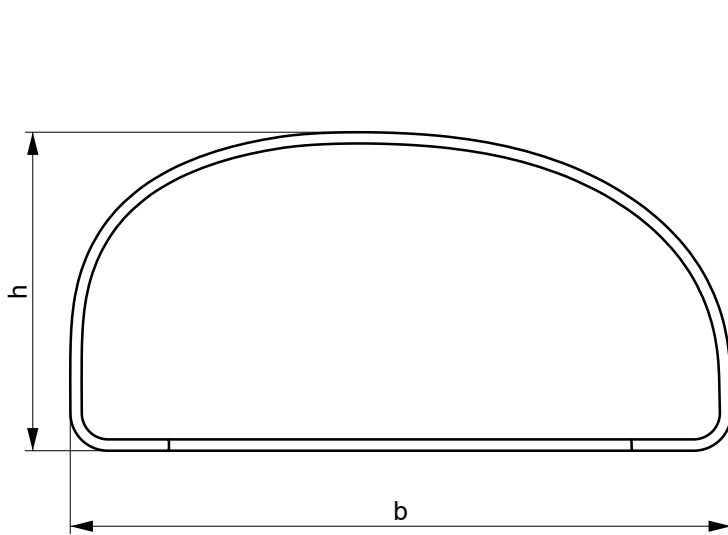
**402MR**

MADE IN ITALY

Written by: Nikola Kostic

Date: 07/01/2023

Rev.02



1	producer name
2	normative ref.
3	type A or B
4	batch number
5	model
6	size/R or L
7	metallic toe caps ref.

average hardness of steel revealed  
on the top of the toe in the center position : HRc = 48 ± 2

dimension unit:		millimeter										KG	
Tolerance:		±0,05	±0,7	±0,5	±1	±1	±1	-2/ +2	Minimal requirement of		Average performance		± 0,010
Size #	strip lenght - code ref.:	raw material thickness	b	h	l1	l2	l	e	ISO EN 22568:1 A	ISO EN 22568:1 B	200J	15KN	Weight (1 pairs)
4													
5													
6													
7		1,8	84,1	40,6	41,5	45,6	39,7	8,0	20,5	24,0	26,0	35,0	0,194
8		1,8	86,5	42,7	42,0	46,2	40,2	8,0	21,0	24,5	27,0	34,5	0,208
9		1,8	87,8	44,0	43,8	47,7	42,0	8,0	21,5	25,0	27,5	34,5	0,214
10		1,8	91,0	45,0	45,3	50,0	43,5	8,0	22,0	25,5	29,0	36,0	0,224
11		1,8	92,8	45,6	45,3	51,0	43,5	8,0	22,0	26,0	29,0	35,0	0,226
12													
13													

Conformity to the norm Conforme alle norme	<input checked="" type="checkbox"/> ISO EN 22568:1 A	<input checked="" type="checkbox"/> ISO EN 22568:1 B	<input checked="" type="checkbox"/> ANSI/ASTM	<input checked="" type="checkbox"/> CSA
---	--	--	---	---