



**SAFIT Srl**

Via Casonetto,17  
36050 Pricola (VI)  
- ITALY -  
Tel.0444 668335

**Technical Data Sheet**  
**Composite toe cap**

*Tabella Dimensionale*  
*Puntali Composito*

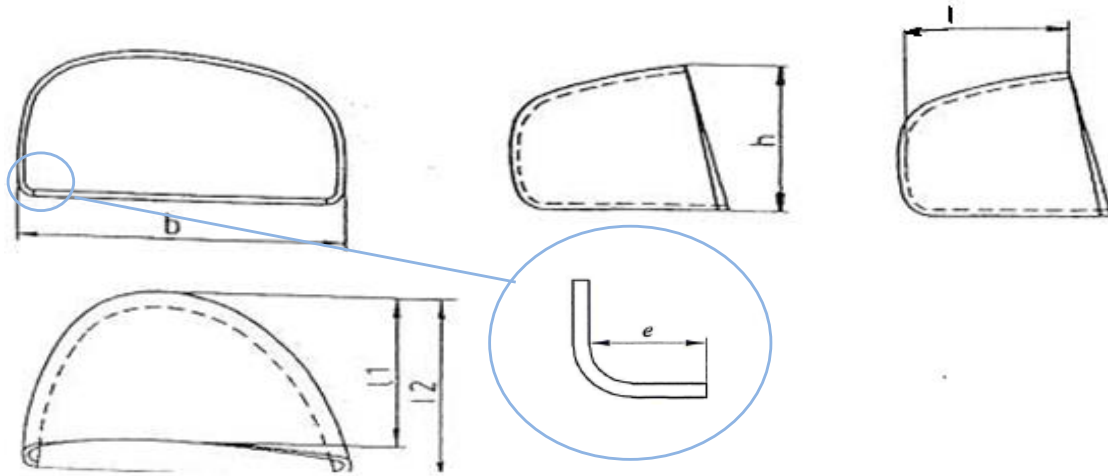
**Type** *Modello*

**4430**

Written by: Nikola Kostic

Date: 01/12/2016

Rev.00



dimension unit:		millimetre											KG	
Tolerance:		±0,05	±0,7	±0,5	±1	±1	±1	-2/ +2	Minimal requirement of		Average performance		± 0,010	
Size #	strip length - code ref.:	raw material thickness	b	h	l1	l2	l	e	ISO EN 22568:1 A	ISO EN 22568:1 B	200J	15KN	Weight (1 pairs)	
3			78,6	42,3	43,5	49,3		8,0	19,5	23,5	20,0	26,0	0,065	
4														
5														
6			84,5	45,0	47,0	50,0		8,0	20,0	24,0	23,5	31,5	0,084	
7			85,0	45,8	49,0	52,0		8,0	20,5	24,5	22,5	29,0	0,088	
8			88,7	46,0	49,9	53,5		8,0	21,0	25,0	23,0	28,0	0,092	
9			93,0	47,0	52,4	55,0		8,0	21,5	25,5	24,5	28,5	0,098	
10			92,5	49,3	55,0	58,0		8,0	22,0	26,0	25,0	30,0	0,116	
11			95,0	51,0	55,1	58,5		8,0	22,0	26,0	26,0	32,0	0,118	
12			95,5	51,2	55,2	61,9		8,0	22,0	26,0	27,0	33,0	0,126	
Conformity to the norm			<input checked="" type="checkbox"/> ISO EN 22568:2 A				<input type="checkbox"/> ISO EN 22568:2 B			<input type="checkbox"/> ANSI/ASTM		<input type="checkbox"/> CSA		
Conforme alle norme														