



**SAFIT Srl**  
Via Casonetto,17  
36050 Friola (VI)  
-- ITALY --  
Tel.0444 668335

**Technical Data Sheet**  
**Fiberglass toe cap**  
*Tabella Dimensionale*  
*Puntali Fibra Vetro*

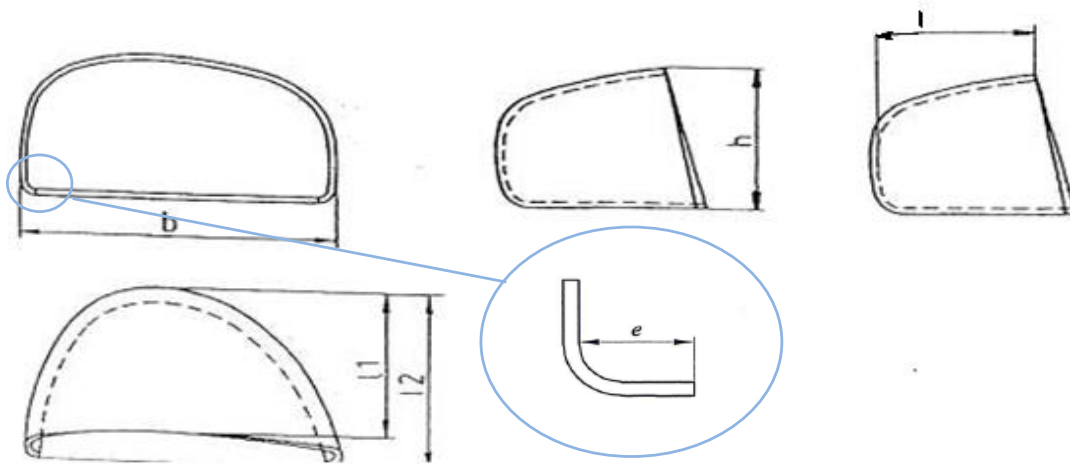
Type *Modello*

**443G**

Written by: Nikola Kostic

Date: 01/12/2016

Rev.00



dimension unit:		millimetre											KG
Tolerance:		±0,05	±0,7	±0,5	±1	±1	±1	-2/ +2	Minimal requirement of		Average performance		± 0,010
Size #	strip length - code ref.:	raw material thickness	b	h	l1	l2	l	e	ISO EN 22568:2 A	ISO EN 22568:2 B	200J	15KN	Weight pairs) (1
3													
4													
5													
6													
7													
8			91,6	49,0	46,0	51,8		8,0	21,0	25,0	25,0	35,0	0,176
9			93,7	49,5	46,3	53,0		8,0	21,5	25,5	28,0	36,0	0,164
10			97,1	49,5	46,5	53,5		8,0	22,0	26,0	31,0	38,0	0,164
11			99,5	52,0	49,3	54,8		8,0	22,0	26,0	31,5	40,0	0,150
12													
13													

Conformity to the norm <i>Conforme alle norme</i>	<input checked="" type="checkbox"/> ISO EN 22568:2A	<input type="checkbox"/> ISO EN 22568:2 B	<input checked="" type="checkbox"/> ANSI/ASTM	<input checked="" type="checkbox"/> CSA
--	---	---	---	---