



SAFIT Srl

Via Casonetto,17
36050 Friola (VI)
-- ITALY --
Tel.0444 668335

MADE IN ITALY

Technical Data Sheet

Composite toe cap

Tabella Dimensionale

Puntali Composito

Type

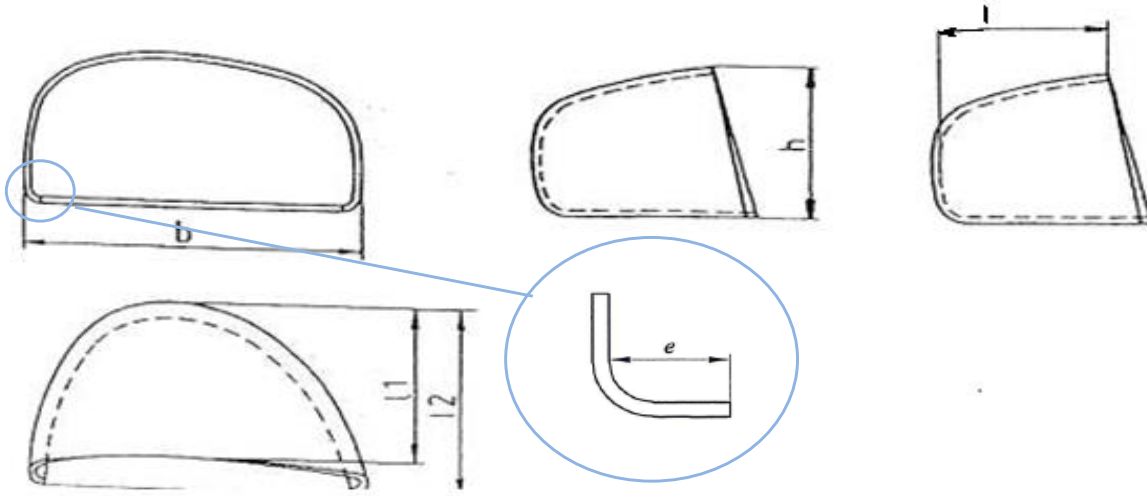
Modello

5550

Written by: Nikola Kostic

Date: 01/12/2016

Rev.00



dimension unit:		millimetre											KG
Tolerance:		±0,05	±0,7	±0,5	±1	±1	±1	-2/+2	Minimal requirement of		Average performance		± 0,010
Size #	strip lenght code ref.:	raw material thickness	b	h	l1	l2	l	e	ISO EN 22568:1 A	ISO EN 22568:1 B	200J	15KN	Weight (1 pairs)
3													
4													
5													
6			82,0	43,0	46,5	48,5		8,0	20,0	24,0	21,0	23,5	0,074
7			84,0	44,0	48,8	49,0		8,0	20,5	24,5	23,0	24,0	0,084
8			87,0	46,0	49,0	51,5		8,0	21,0	25,0	24,0	25,0	0,094
9			88,0	47,0	50,5	53,0		8,0	21,5	25,5	24,5	27,0	0,096
10			90,0	48,5	54,0	56,5		8,0	22,0	26,0	26,0	30,5	0,106
11			92,0	49,5	54,5	57,5		8,0	22,0	26,0	29,5	37,5	0,112
12			95,7	50,6	55,0	58,4		8,0	22,0	26,0	30,5	38,0	0,118
Conformity to the norm			<input checked="" type="checkbox"/> ISO EN 22568:2 A					<input type="checkbox"/> ISO EN 22568:2 B		<input type="checkbox"/> ANSI/ASTM		<input type="checkbox"/> CSA	
Conforme alle norme													