



SAFIT Srl

Via Casonetto,17
36050 Friola (VI)
-- ITALY --
Tel.0444 668335

MADE IN ITALY

**Technical Data Sheet
Aluminium toe cap**

**Tabella Dimensionale
Puntali Alluminio**

Type

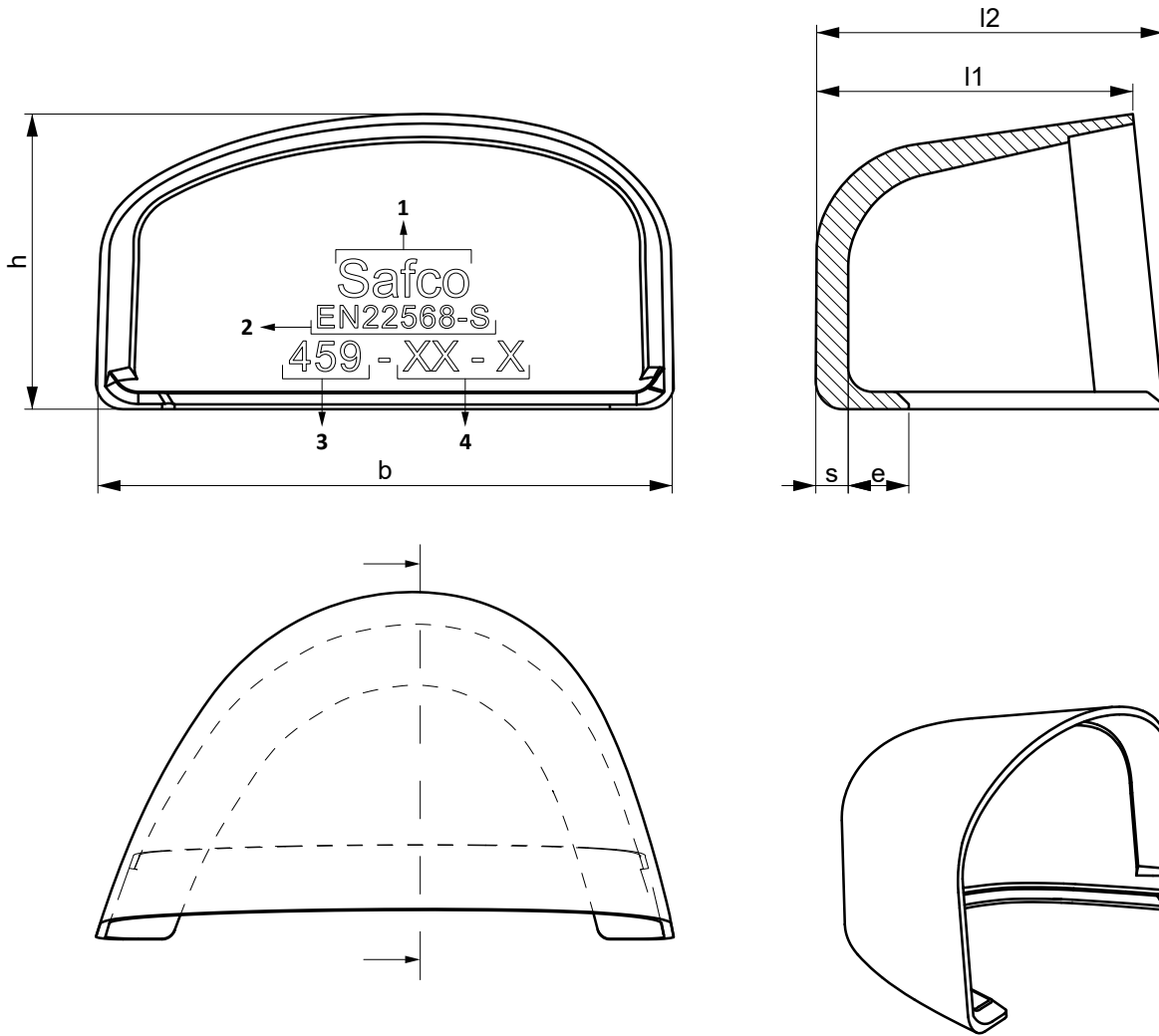
Modello

459 IJ

Written by: Nikola Kostic

Date: 07/01/2023

Rev.02



1	producer name
2	normative ref.
3	model
4	size/L or R

dimension unit:			millimeter										KG
Tolerance:			±0,7	±0,5	±1	±1	±1	-2/ +2	Minimal requirement of		Average performance		± 0,010
Size #	strip length - code ref.:	s (max thickness)	b	h	l1	l2	l	e	ISO EN 22568:1 A	ISO EN 22568:1 B	200J	15KN	Weight (1 pairs)
4													
5													
6		5,0	82,8	41,4	42,6	44,1		9,0	20,0	24,0	22,5	32,5	0,110
7		5,0	84,8	42,9	43,3	44,9		9,0	20,5	24,5	24,5	33,0	0,122
8		5,0	86,3	45,4	46,3	48,4		9,0	21,0	25,0	27,0	35,5	0,138
9		5,0	89,7	45,9	47,9	51,1		9,0	21,5	25,5	27,5	35,5	0,146
10		5,0	92,5	46,7	48,5	51,4		9,0	22,0	26,0	28,5	36,0	0,154
11		5,0	95,5	47,2	50,0	51,2		9,0	22,0	26,0	28,5	36,0	0,166
12		5,0	98,2	48,3	55,0	52,3		9,0	22,0	26,0	30,5	37,5	0,180
13													
14													
Conformity to the norm Conforme alle norme			<input checked="" type="checkbox"/> ISO EN 22568:1 A				<input type="checkbox"/> ISO EN 22568:1 B			<input type="checkbox"/> ANSI/ASTM		<input type="checkbox"/> CSA	