



SAFIT Srl

Via Casonetto,17
36050 Friola (VI)
-- ITALY --
Tel.0444 668335

**Technical Data Sheet
Steel toe cap**

Tabella Dimensionale

Puntali Acciaio

Type

Modello

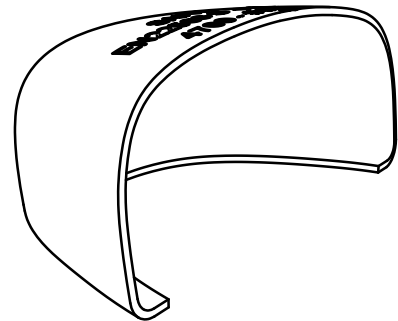
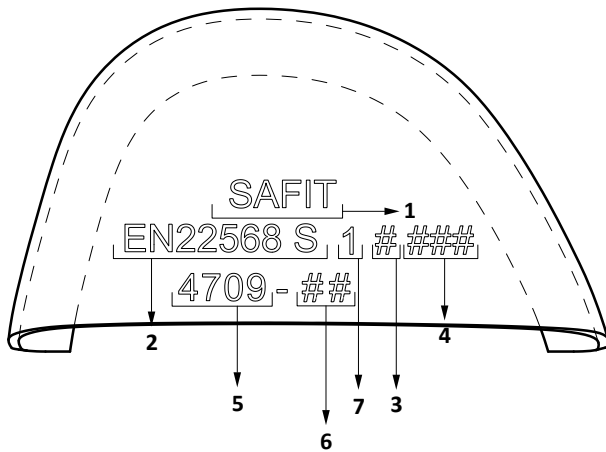
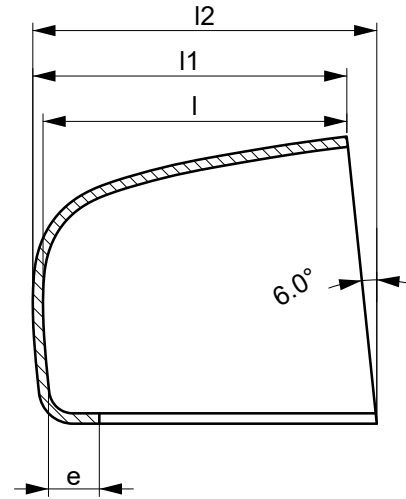
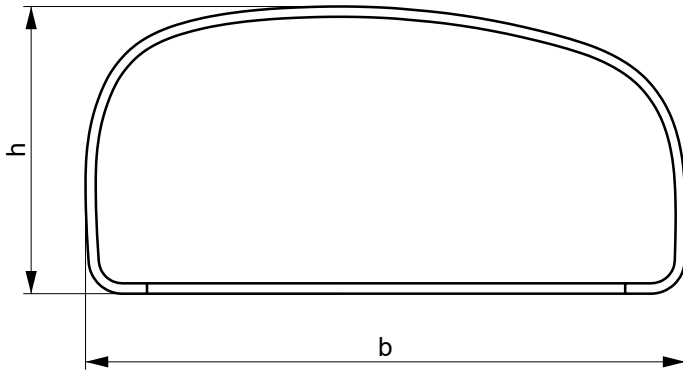
4709

MADE IN ITALY

Written by: Nikola Kostic

Date: 07/01/2023

Rev.02



1	producer name
2	normative ref.
3	type A or B
4	batch number
5	model
6	size/R or L
7	metallic toe caps ref.

average hardness of steel revealed
on the top of the toe in the center position : HRc = 48 ± 2

dimension unit:		millimeter											KG
Tolerance:		±0,05	±0,7	±0,5	±1	±1	±1	-2/ +2	Minimal requirement of		Average performance		± 0,010
Size #	strip lenght - code ref.:	raw material thickness	b	h	l1	l2	l	e	ISO EN 22568:1 A	ISO EN 22568:1 B	200J	15KN	Weight (1 pairs)
4													
5													
6													
7	GAA-2	1,6	81,0	38,6	43,7	47,5	42,1	8,0	20,5	24,5	21,5	30,5	0,166
8	GAA-4	1,6	86,0	40,5	46,0	50,0	44,4	8,0	21,0	25,0	22,5	31,0	0,170
9	GAA-4	1,5	86,3	41,5	45,0	49,2	43,5	8,0	21,5	25,5	23,0	31,5	0,170
10	GAA-5	1,5	88,2	42,3	46,3	50,5	44,8	8,0	22,0	26,0	23,5	32,0	0,182
11													
12													

Conformity to the norm Conforme alle norme	<input checked="" type="checkbox"/> ISO EN 22568:1 A	<input type="checkbox"/> ISO EN 22568:1 B	<input checked="" type="checkbox"/> ANSI/ASTM	<input checked="" type="checkbox"/> CSA
---	--	---	---	---