



SAFIT Srl

Via Casonetto,17
36050 Friola (VI)
-- ITALY --
Tel.0444 668335

Technical Data Sheet
Composite toe cap

Tabella Dimensionale
Puntali Composito

Type

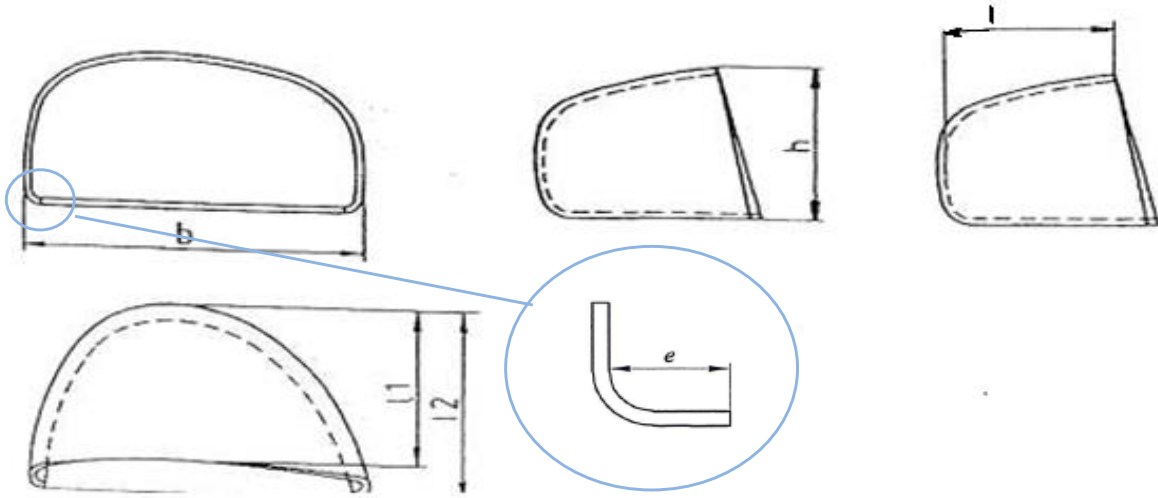
Modello

5220

Written by: Nikola Kostic

Date: 01/12/2016

Rev.00



dimension unit:		millimetre											KG
Tolerance:		±0,05	±0,7	±0,5	±1	±1	±1	-2/+2	Minimal requirement of		Average performance		± 0,010
Size #	strip lenght code ref.:	raw material thickness	b	h	l1	l2	l	e	ISO EN 22568:1 A	ISO EN 22568:1 B	200J	15KN	Weight (1 pairs)
3													
4													
5													
6			82,5	47,2	47,8	50,8		8,0	20,0	24,0	24,0	28,0	0,096
7			87,2	45,2	49,1	51,8		8,0	20,5	24,5	24,5	29,0	0,098
8			89,5	48,5	50,5	53,5		8,0	21,0	25,0	25,0	30,0	0,112
9			91,5	49,7	51,0	54,1		8,0	21,5	25,5	26,0	30,5	0,120
10			98,5	48,8	54,0	56,2		8,0	22,0	26,0	26,5	32,0	0,197
11			98,0	52,0	54,5	57,5		8,0	22,0	26,0	29,5	34,5	0,141
12													

Conformity to the norm
Conforme alle norme

ISO EN 22568:2 A

ISO EN 22568:2 B

ANSI/ASTM

CSA