



MADE IN ITALY

SAFiT Srl

Via Casonetto, 17
36050 Friola (VI)
- ITALY -
Tel. 0444 668335

Technical Data Sheet

Fiber carbon toe cap

Tabella Dimensionale

Puntali Fibra di carbonio

Type

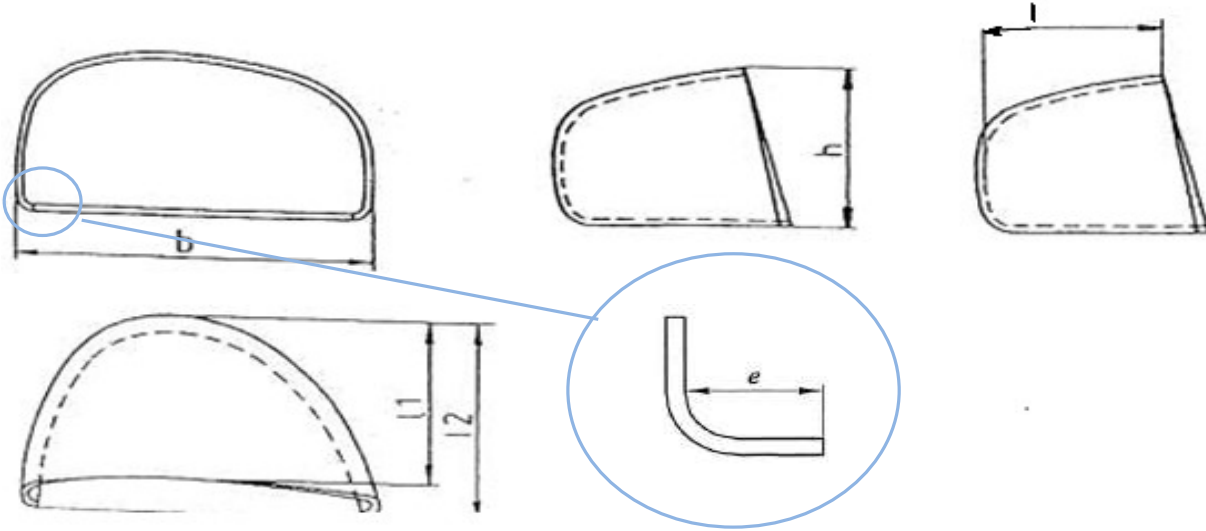
Modello

522

Written by: Nikola Kostic

Date: 01/12/2016

Rev.00



dimension unit:		millimetre											KG
Tolerance:		±0,05	±0,7	±0,5	±1	±1	±1	-2/+2	Minimal requirement of		Average performance		± 0,010
Size #	strip lenght - code ref.:	raw material thickness	b	h	l1	l2	l	e	ISO EN 22568:1 A	ISO EN 22568:1 B	200J	15KN	Weight (1 pairs)
4													
5													
6			84,0	41,5	44,8	46,3		8,0	20,0	24,0	27,0	36,0	0,123
7			87,5	41,0	45,0	46,6		8,0	20,5	24,5	26,0	36,0	0,128
8			89,8	41,5	47,5	49,0		8,0	21,0	25,0	26,5	37,0	0,123
9			93,0	44,4	49,0	50,5		8,0	21,5	25,5	26,5	37,5	0,141
10			94,6	45,3	50,1	52,5		8,0	22,0	26,0	27,0	38,0	0,140
11			98,3	47,2	49,6	53,2		8,0	22,0	26,0	28,0	40,0	0,143
12			99,5	49,2	50,0	53,7		8,0	22,0	26,0	29,0	40,0	0,143
Conformity to the norm		<input checked="" type="checkbox"/> ISO EN 22568:1 A					<input checked="" type="checkbox"/> ISO EN 22568:1 B			<input checked="" type="checkbox"/> ANSI/ASTM		<input checked="" type="checkbox"/> CSA	
Conforme alle norme													