



SAFIT Srl

Via Casonetto,17
36050 Friola (VI)
-- ITALY --
Tel.0444 668335

**Technical Data Sheet
Fiberglass toe cap**

**Tabella Dimensionale
Puntali Fibra vetro**

Type

Modello

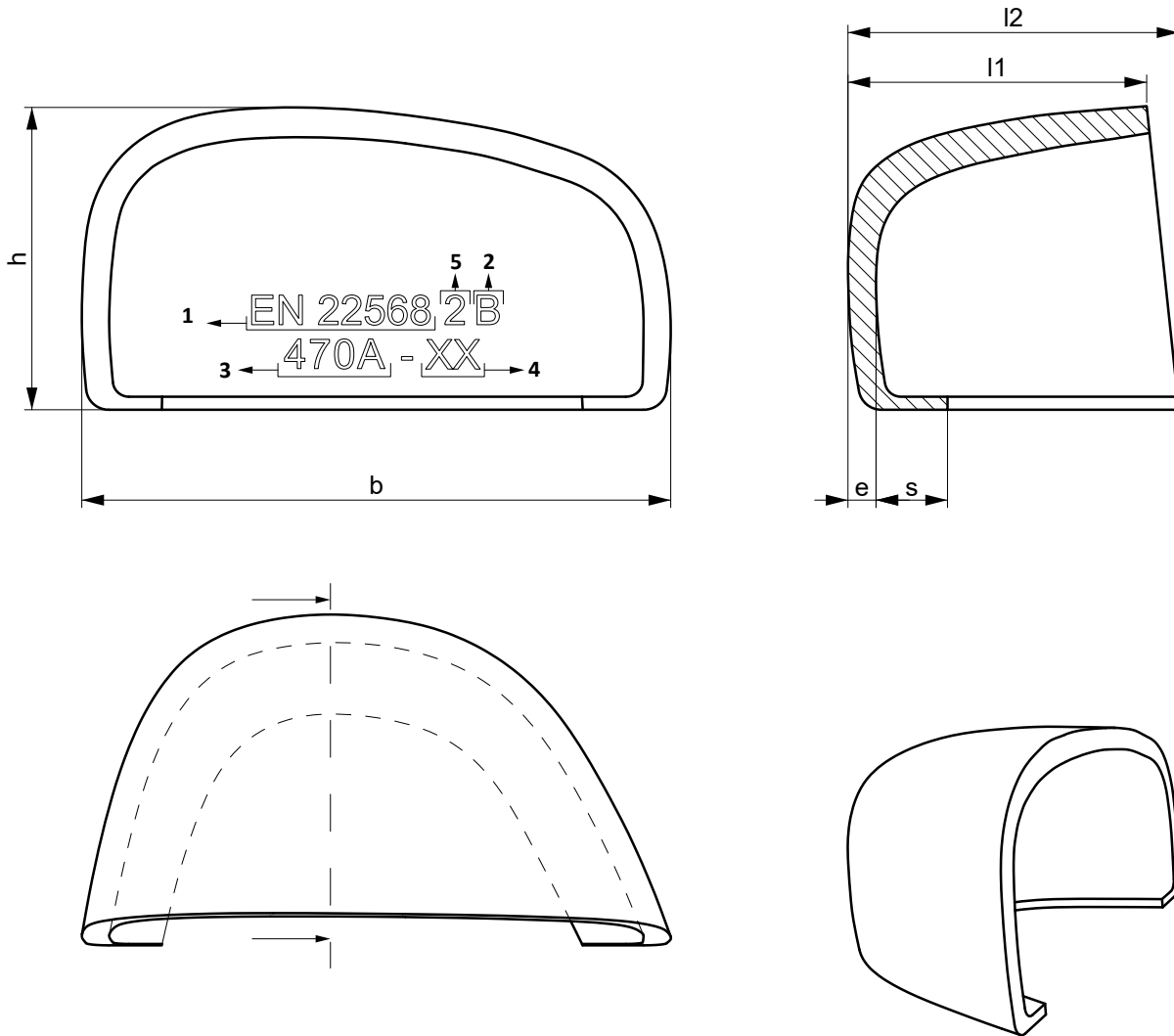
570A

MADE IN ITALY

Written by: Nikola Kostic

Date: 07/01/2023

Rev.02



1	normative ref.
2	type A or B
3	model
4	size/R or L
5	no metallic toe caps ref.

dimension unit:		millimeter											KG
Tolerance:		±0,7	±0,5	±1	±1	±1	-2/ +2	Minimal requirement of		Average performance		± 0,010	
Size #	strip lenght - code ref.:	s (max thickness)	b	h	l1	l2	l	e	ISO EN 22568:1 A	ISO EN 22568:1 B	200J	15KN	Weight (1 pairs)
4													
5													
6		5,0	81,8	42,4	42,8	50,3		8,0	21,0	25,0	22,5	34,0	0,108
7		5,0	85,4	43,0	44,6	48,2		8,0	21,5	25,5	23,0	35,5	0,118
8		5,0	90,5	45,4	48,1	51,0		8,0	21,0	25,0	23,0	35,5	0,133
9		5,0	89,7	46,6	45,9	48,6		8,0	21,5	25,5	22,5	37,0	0,133
10		5,0	91,6	48,9	49,7	52,2		8,0	22,0	26,0	25,0	37,0	0,144
11		5,0	97,2	49,7	51,3	54,6		8,0	22,0	26,0	26,0	38,0	0,146
12		5,0	99,2	52,8	49,9	53,4		8,0	22,0	26,0	28,5	41,0	0,146

Conformity to the norm Conforme alle norme	<input checked="" type="checkbox"/> ISO EN 22568:1 A	<input type="checkbox"/> ISO EN 22568:1 B	<input type="checkbox"/> ANSI/ASTM	<input type="checkbox"/> CSA
---	--	---	------------------------------------	------------------------------