



SAFIT Srl

Via Casonetto,17
36050 Fricola (VI)
- ITALY -
Tel.0444 668335

Technical Data Sheet
Fiberglass toe cap

Tabella Dimensionale
Puntali Fibra Vetro

Type

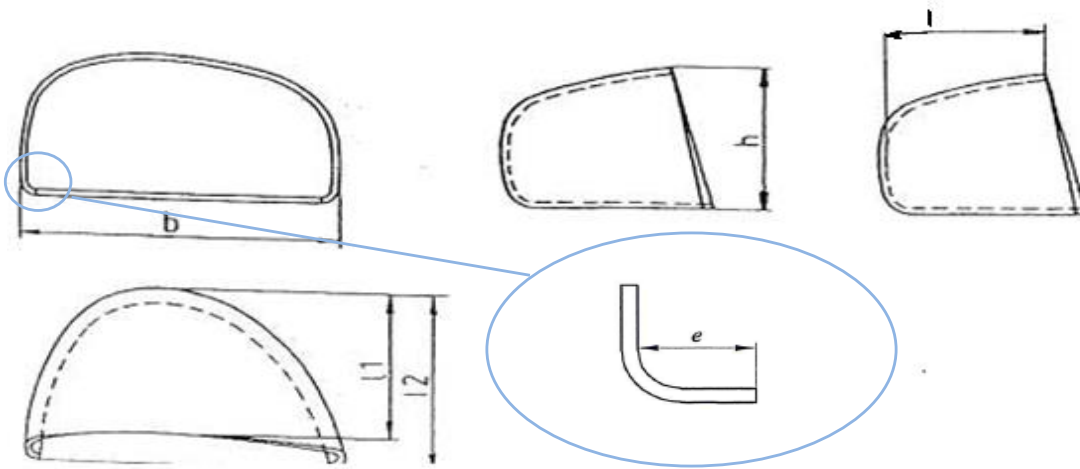
Modello

60

Written by: Nikola Kostic

Date: 01/12/2016

Rev.00



dimension unit:		millimetre										KG	
Tolerance:		±0,05	±0,7	±0,5	±1	±1	±1	-2/ +2	Minimal requirement of		Average performance		± 0,010
Size #	strip length - code ref.:	raw material thickness	b	h	l1	l2	l	e	ISO EN 22568:2 A	ISO EN 22568:2 B	200J	15KN	Weight (1 pairs)
3													
4													
5													
6													
7			77,0	46,0	47,0	49,8		8,0	20,5	24,5	23,5	33,5	0,120
8			79,0	45,5	48,0	51,1		8,0	21,0	25,0	24,0	34,0	0,128
9			81,0	46,0	49,5	52,2		8,0	21,5	25,5	24,5	34,5	0,132
10			82,5	47,0	50,5	53,1		8,0	22,0	26,0	24,5	35,0	0,134
11			84,0	47,9	51,5	54,0		8,0	22,0	26,0	25,5	35,5	0,146
12													
Conformity to the norm <i>Conforme alle norme</i>			<input checked="" type="checkbox"/> ISO EN 22568:2A				<input type="checkbox"/> ISO EN 22568:2 B		<input type="checkbox"/> ANSI/ASTM		<input type="checkbox"/> CSA		