



SAFIT Srl

Via Casonetto,17
36050 Friola (VI)
~ ITALY ~
Tel.0444 668335

Technical Data Sheet
Aluminium toe cap

Tabella Dimensionale

Puntali Alluminio

Type

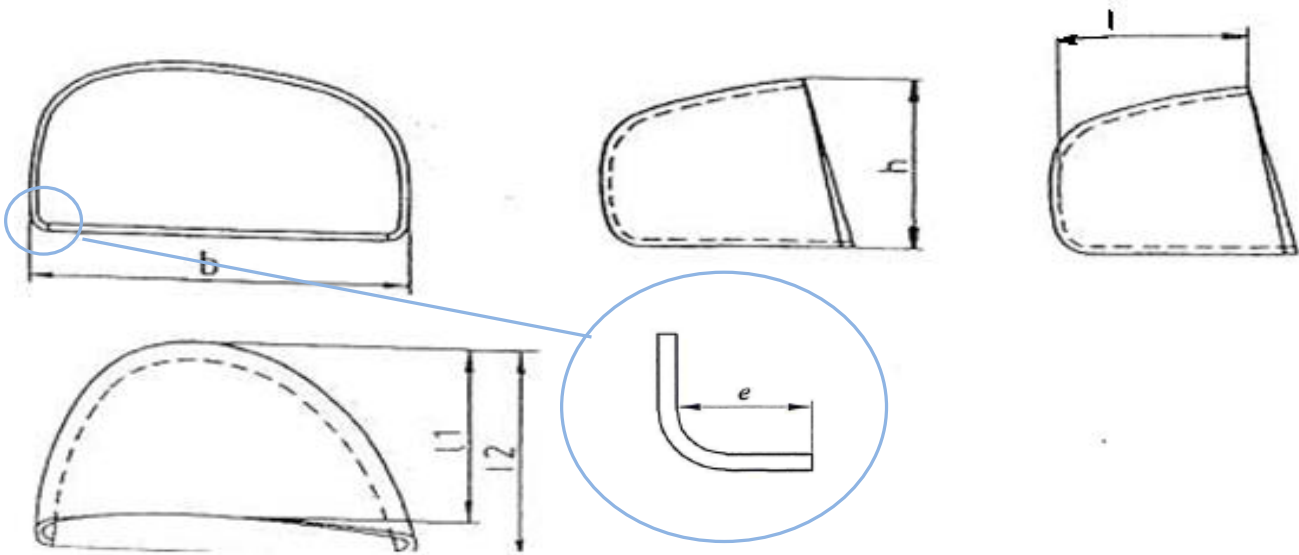
Modello

604PF

Written by: Nikola Kostic

Date: 01/12/2016

Rev.00



dimension unit:		millimetre											KG
Tolerance:		±0,05	±0,7	±0,5	±1	±1	±1	-2/ +2	Minimal requirement of		Average performance		± 0,010
Size #	strip lenght - code ref.:	raw material thickness	b	h	l1	l2	l	e	ISO EN 22568:1 A	ISO EN 22568:1 B	200J	15KN	Weight (1 pairs)
4													
5			80,7	37,3	44,0	45,0	39,5	8,0	19,5	23,5	22,0	29,0	0,102
6			82,0	40,4	45,0	46,4	40,5	8,0	20,0	24,0	22,5	29,5	0,102
7			82,0	43,0	43,5	45,5	40,0	8,0	20,5	24,5	22,5	29,5	0,100
8			83,0	44,0	43,5	46,2	40,0	8,0	21,0	25,0	23,0	30,0	0,098
9			85,0	45,0	44,5	47,0	41,0	8,0	21,5	25,5	23,5	32,0	0,106
10			86,6	46,2	46,5	48,0	42,0	8,0	22,0	26,0	24,0	34,0	0,124
11			89,0	48,0	46,5	48,0	42,0	8,0	22,0	26,0	24,5	34,0	0,116
12			90,5	49,0	47,0	49,0	43,5	8,0	22,0	26,0	25,5	34,5	0,124
Conformity to the norm			<input checked="" type="checkbox"/> ISO EN 22568:1 A				<input type="checkbox"/> ISO EN 22568:1 B			<input type="checkbox"/> ANSI/ASTM		<input type="checkbox"/> CSA	
<i>Conforme alle norme</i>													