



SAFIT Srl

Via Casonetto,17
36050 Friola (VI)
-- ITALY --
Tel.0444 668335

MADE IN ITALY

Technical Data Sheet

Composite toe cap

Tabella Dimensionale

Puntali Composito

Type

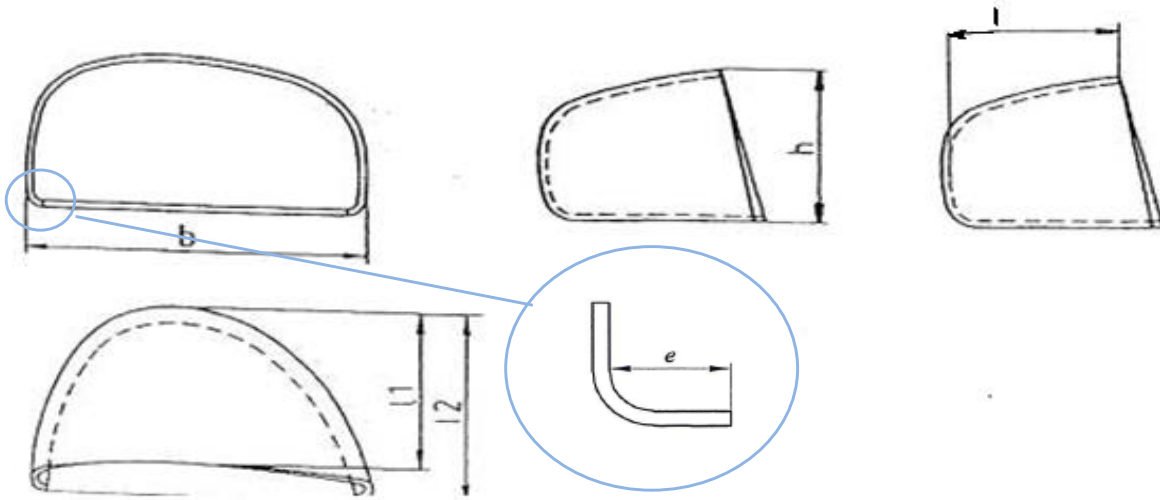
Modello

6040

Written by: Nikola Kostic

Date: 01/12/2016

Rev.00



dimension unit:		millimetre											KG
Tolerance:		±0,05	±0,7	±0,5	±1	±1	±1	-2/+2	Minimal requirement of		Average performance		± 0,010
Size #	strip lenght code ref.:	raw material thickness	b	h	l1	l2	l	e	ISO EN 22568:1 A	ISO EN 22568:1 B	200J	15KN	Weight (1 pairs)
3													
4													
5													
6			85,0	41,5	50,0	53,0		8,0	20,0	24,0	21,0	30,0	0,082
7			87,0	43,5	52,5	55,0		8,0	20,5	24,5	23,5	30,5	0,092
8			88,0	46,0	54,5	57,5		8,0	21,0	25,0	25,0	31,5	0,104
9			91,0	46,0	55,0	57,5		8,0	21,5	25,5	26,0	32,0	0,104
10			93,0	47,5	56,5	59,5		8,0	22,0	26,0	26,5	32,5	0,106
11			95,0	48,5	58,0	60,5		8,0	22,0	26,0	26,5	33,0	0,114
12			98,5	51,0	56,0	60,7		8,0	22,0	26,0	27,0	33,0	0,114

Conformity to the norm
Conforme alle norme

ISO EN 22568:2A

ISO EN 22568:2 B

ANSI/ASTM

CSA