



SAFIT Srl
Via Casonetto,17
36050 Friola (VI)
-- ITALY --
Tel.0444 668335

Technical Data Sheet
Fiberglass toe cap
Tabella Dimensionale
Puntali Fibra Vetro

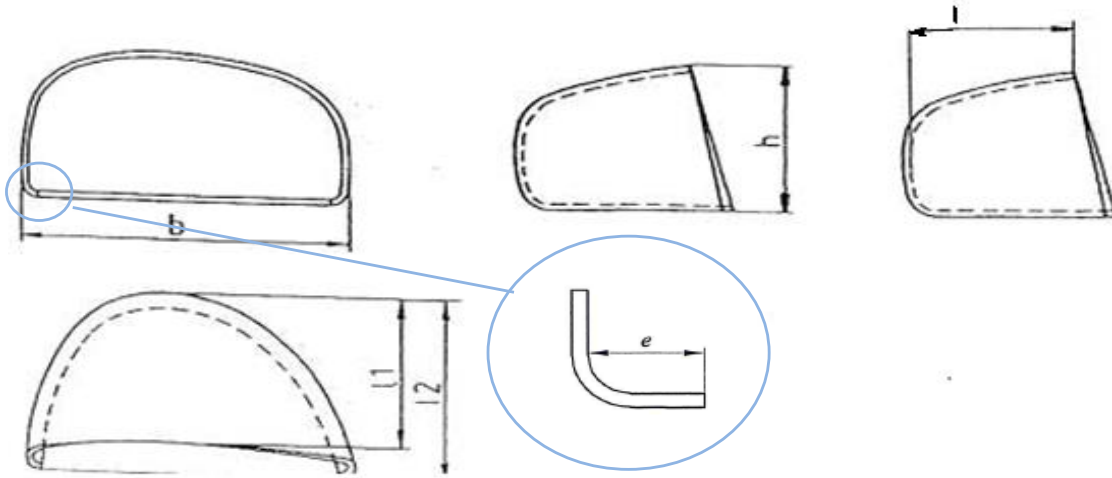
Type Modello

604

Written by: Nikola Kostic

Date: 01/12/2016

Rev.00



dimension unit:		millimetre										KG	
Tolerance:		±0,05	±0,7	±0,5	±1	±1	±1	-2/ +2	Minimal requirement of		Average performance		± 0,010
Size #	strip length - code ref.:	raw material thickness	b	h	l1	l2	l	e	ISO EN 22568:2 A	ISO EN 22568:2 B	200J	15KN	Weight pairs) (1
3													
4													
5													
6			82,0	42,0	45,5	47,2		8,0	20,0	24,0	22,0	33,5	0,110
7			83,0	42,5	46,0	48,0		8,0	20,5	24,5	22,5	34,0	0,104
8			86,5	43,5	46,5	48,9		8,0	21,0	25,0	24,5	35,0	0,124
9			88,5	44,5	48,0	50,1		8,0	21,5	25,5	25,0	37,0	0,130
10			90,5	44,5	49,0	51,3		8,0	22,0	26,0	26,0	37,5	0,130
11			93,0	47,0	51,0	53,3		8,0	22,0	26,0	27,5	38,0	0,144
12			93,0	48,0	48,8	51,2		8,0	22,0	26,0	28,0	39,0	0,136
13													

Conformity to the norm Conforme alle norme		<input checked="" type="checkbox"/> ISO EN 22568:2 A	<input type="checkbox"/> ISO EN 22568:2 B	<input type="checkbox"/> ANSI/ASTM	<input type="checkbox"/> CSA
---	--	--	---	------------------------------------	------------------------------