



SAFIT Srl

Via Casonetto,17
36050 Friola (VI)
~ ITALY ~
Tel.0444 668335

Technical Data Sheet
Aluminium toe cap

Tabella Dimensionale

Puntali Alluminio

Type

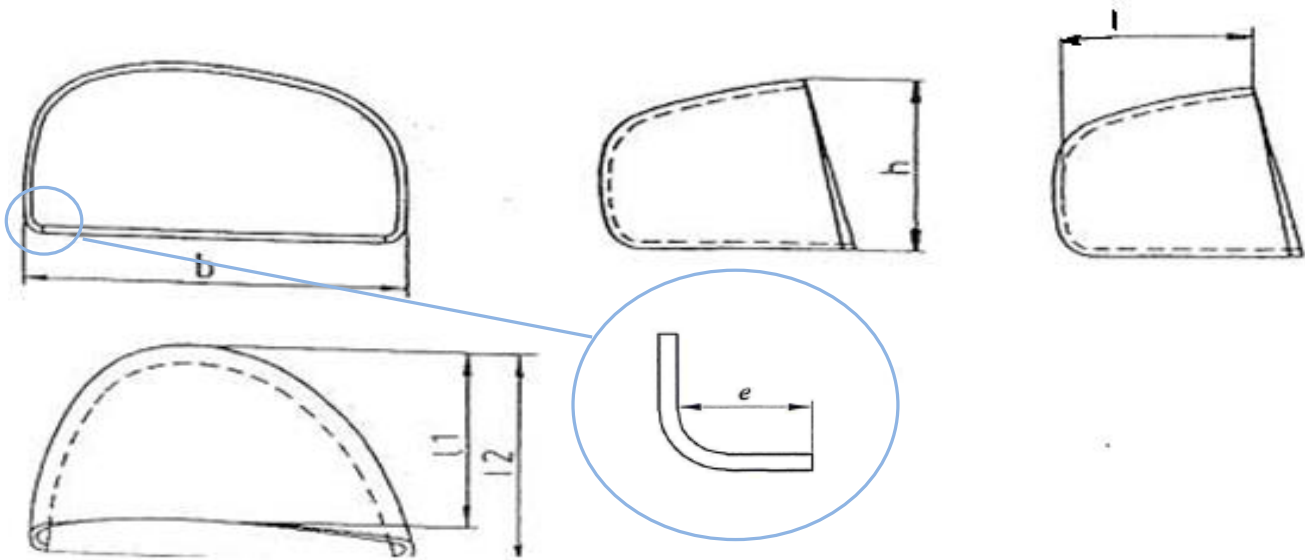
Modello

604ST

Written by: Nikola Kostic

Date: 01/12/2016

Rev.00



| dimension unit: | | millimetre | | | | | | | | | | | KG |
|--|---------------------------------|---------------------------|--|------|------|---|------|--------|------------------------------------|---------------------|------------------------------|------|---------------------|
| Tolerance: | | ±0,05 | ±0,7 | ±0,5 | ±1 | ±1 | ±1 | -2/ +2 | Minimal requirement of | | Average performance | | ± 0,010 |
| Size # | strip lenght - code ref.: | raw material thickness | b | h | l1 | l2 | l | e | ISO EN 22568:1 A | ISO EN 22568:1 B | 200J | 15KN | Weight (1 pairs) |
| 4 | | | | | | | | | | | | | |
| 5 | | | | | | | | | | | | | |
| 6 | | | | | | | | | | | | | |
| 7 | | 2,5 | 84,5 | 48,0 | 44,0 | 47,8 | 41,5 | 8,0 | 20,5 | 24,5 | 25,0 | 34,0 | 0,104 |
| 8 | | 2,5 | 87,2 | 49,2 | 45,5 | 49,5 | 43,0 | 8,0 | 21,0 | 25,0 | 25,5 | 34,5 | 0,110 |
| 9 | | 2,5 | 89,2 | 50,1 | 46,0 | 50,0 | 43,5 | 8,0 | 21,5 | 25,5 | 26,0 | 35,0 | 0,112 |
| 10 | | 2,5 | 90,1 | 51,5 | 48,5 | 52,0 | 46,0 | 8,0 | 22,0 | 26,0 | 28,5 | 39,0 | 0,122 |
| 11 | | 2,5 | 92,9 | 53,5 | 49,6 | 55,1 | 47,1 | 8,0 | 22,0 | 26,0 | 29,0 | 39,0 | 0,126 |
| 12 | | | | | | | | | | | | | |
| Conformity to the norm <i>Conforme alle norme</i> | | | <input checked="" type="checkbox"/> ISO EN 22568:1 A | | | <input type="checkbox"/> ISO EN 22568:1 B | | | <input type="checkbox"/> ANSI/ASTM | | <input type="checkbox"/> CSA | | |