



**SAFIT Srl**

Via Casonetto,17  
36050 Friola (VI)  
-- ITALY --  
Tel.0444 668335

MADE IN ITALY

**Technical Data Sheet**  
**Steel toe cap**

**Tabella Dimensionale**

**Puntali Acciaio**

**Type**

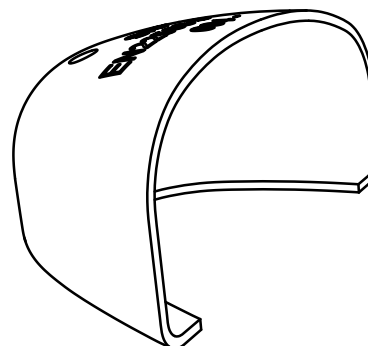
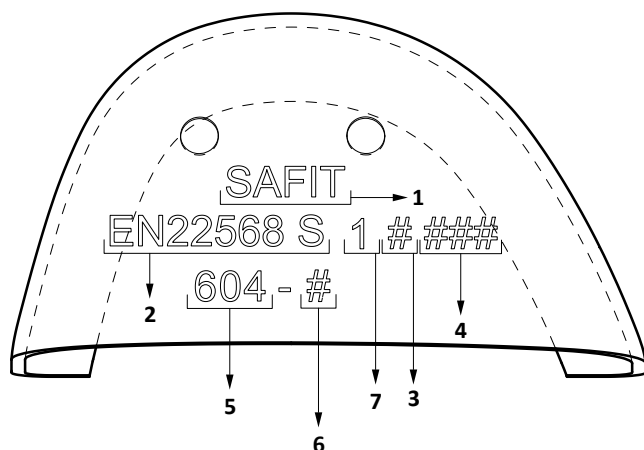
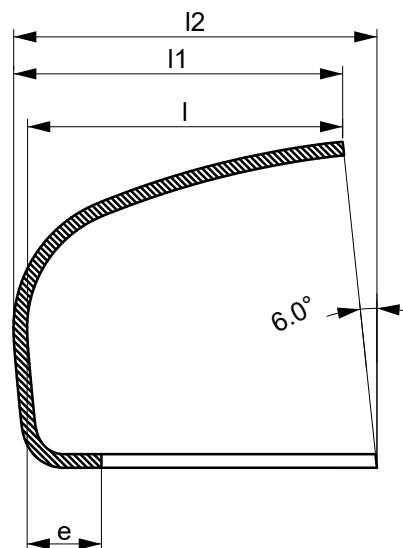
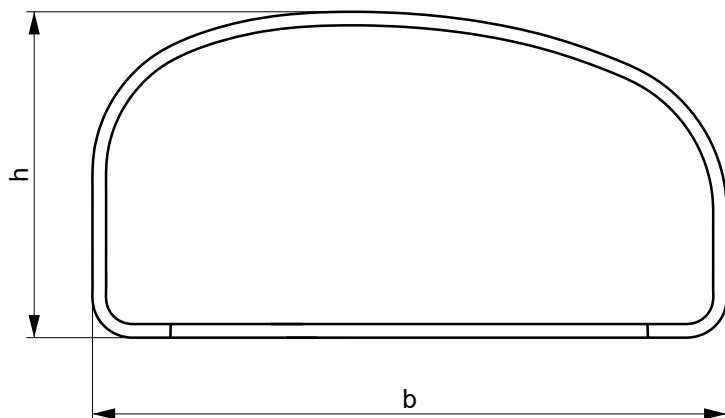
**Modello**

**604FR**

**Written by: Nikola Kostic**

**Date: 07/01/2023**

**Rev.02**



1	producer name
2	normative ref.
3	type A or B
4	batch number
5	model
6	size
7	metallic toe caps ref.

average hardness of steel releaved  
on the top of the toe in the center position : HRc = 48 ± 2

dimension unit:		millimeter											KG
Tolerance:		±0,05	±0,7	±0,5	±1	±1	±1	-2/ +2	Minimal requirement of		Average performance		± 0,010
Size #	strip length - code ref.:	raw material thickness	b	h	l1	l2	l	e	ISO EN 22568:1 A	ISO EN 22568:1 B	200J	15KN	Weight (1 pairs)
4													
5													
6													
7	GAA-4	1,8	81,5	42,4	46,0	47,5	40,4	8,0	20,5	24,5	25,0	33,5	0,184
8	GAA-4	1,8	83,9	43,4	47,6	49,5	41,9	8,0	21,0	25,0	25,5	33,5	0,198
9	GAA-5	1,8	86,4	43,8	48,0	49,5	42,9	8,0	21,5	25,5	26,5	34,5	0,214
10	GAA-5	1,8	87,5	45,0	48,0	49,2	43,4	8,0	22,0	26,0	29,0	36,0	0,214
11	GAA-6	1,8	89,5	47,1	52,0	54,3	46,9	8,0	22,0	26,0	29,0	36,0	0,234
12	GAA-7	1,8	94,6	50,4	53,5	55,0	45,9	8,0	22,0	26,0	29,5	36,5	0,252

Conformity to the norm Conforme alle norme	<input checked="" type="checkbox"/> ISO EN 22568:1 A	<input checked="" type="checkbox"/> ISO EN 22568:1 B	<input checked="" type="checkbox"/> ANSI/ASTM	<input checked="" type="checkbox"/> CSA
---	--	--	---	---