



SAFIT Srl

Via Casonetto,17
36050 Friola (VI)
-- ITALY --
Tel.0444 668335

**Technical Data Sheet
Steel toe cap**

Tabella Dimensionale

Puntali Acciaio

Type

Modello

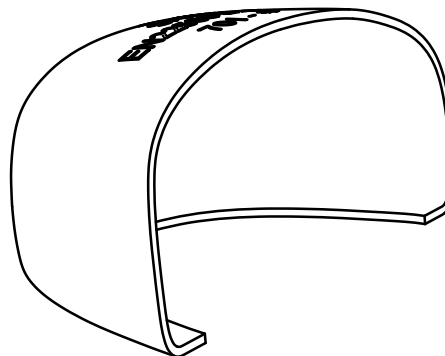
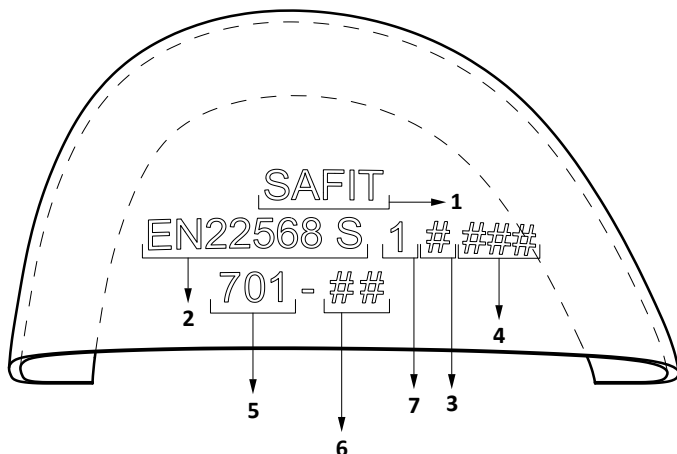
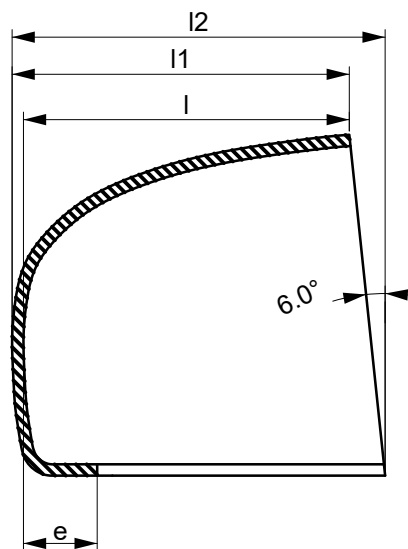
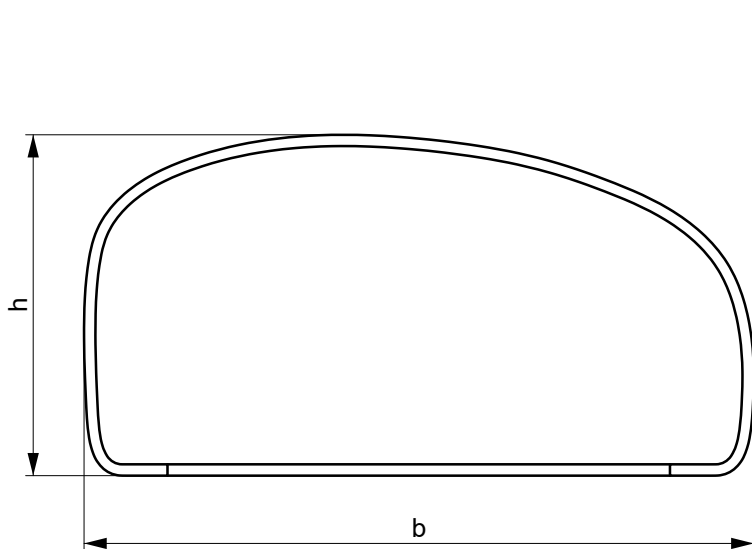
701

MADE IN ITALY

Written by: Nikola Kostic

Date: 07/01/2023

Rev.02



average hardness of steel revealed
on the top of the toe in the center position : HRc = 48 ± 2

1	producer name
2	normative ref.
3	type A or B
4	batch number
5	model
6	size R or L
7	metallic toe caps ref.

dimension unit:		millimeter											KG
Tolerance:		±0,05	±0,7	±0,5	±1	±1	±1	-2/ +2	Minimal requirement of		Average performance		± 0,010
Size #	strip lenght - code ref.:	raw material thickness	b	h	l1	l2	l	e	ISO EN 22568:1 A	ISO EN 22568:1 B	200J	15KN	Weight (1 pairs)
4													
5	GAA-2	1,6	79,4	40,0	40,0	44,0	38,4	8,0	19,5	23,5	23,0	31,5	0,154
6	GAA-3	1,6	82,0	40,0	42,5	46,5	40,9	8,0	20,0	24,0	23,0	31,5	0,164
7	GAA-4	1,6	83,6	43,0	43,1	47,5	41,5	8,0	20,5	24,5	23,5	32,0	0,166
8	GAA-4	1,6	86,0	43,1	44,5	48,3	42,9	8,0	21,0	25,0	24,0	32,5	0,172
9	GAA-6	1,5	88,5	46,0	44,9	49,3	43,4	8,0	21,5	25,5	26,0	36,0	0,184
10	GAA-6	1,5	92,0	46,8	46,8	51,0	45,3	8,0	22,0	26,0	26,5	36,0	0,195
11	GAA-6	1,5	92,2	48,5	47,5	52,0	46,0	8,0	22,0	26,0	28,0	34,0	0,200
12	GAA-7	1,5	95,3	48,0	47,8	56,0	46,3	8,0	22,0	26,0	29,0	38,0	0,209

Conformity to the norm Conforme alle norme	<input checked="" type="checkbox"/> ISO EN 22568:1 A	<input type="checkbox"/> ISO EN 22568:1 B	<input checked="" type="checkbox"/> ANSI/ASTM	<input checked="" type="checkbox"/> CSA
---	--	---	---	---