



SAFIT Srl

Via Casonetto,17
36050 Friola (VI)
-- ITALY --
Tel.0444 668335

MADE IN ITALY

Technical Data Sheet

Composite toe cap

Tabella Dimensionale

Puntali Composito

Type

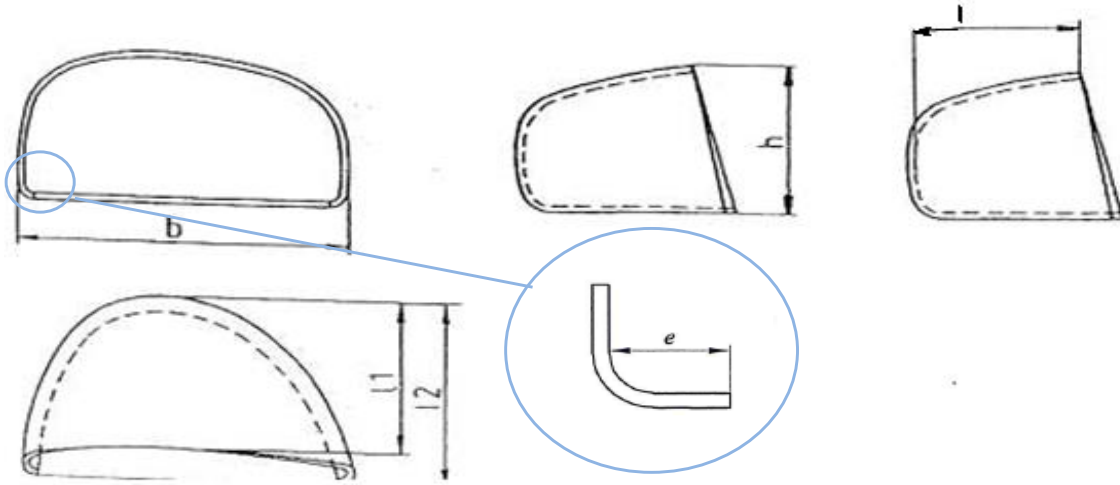
Modello

1992

Written by: Nikola Kostic

Date: 01/12/2016

Rev.00



dimension unit:		millimetre											KG
Tolerance:		±0,05	±0,7	±0,5	±1	±1	±1	-2/+2	Minimal requirement of		Average performance		± 0,010
Size #	strip lenght code ref.:	raw material thickness	b	h	l1	l2	l	e	ISO EN 22568:1 A	ISO EN 22568:1 B	200J	15KN	Weight pairs) (1
5													
6			83,5	45,0	45,0	49,5		8,0	20,0	24,0	22,0	27,0	0,086
7			87,0	46,0	46,0	51,5		8,0	20,5	24,5	22,5	28,0	0,096
8			90,0	48,5	48,5	54,0		8,0	21,0	25,0	26,0	30,0	0,110
9			94,0	49,5	49,5	55,8		8,0	21,5	25,5	28,0	31,0	0,122
10			97,5	51,0	51,5	57,8		8,0	22,0	26,0	28,5	33,0	0,128
11			100,7	52,5	53,0	55,0		8,0	22,0	26,0	29,0	33,0	0,172
12			104,5	54,3	56,0	62,0		8,0	22,0	26,0	34,5	38,0	0,160
Conformity to the norm		<input checked="" type="checkbox"/> ISO EN 22568:2 A			<input type="checkbox"/> ISO EN 22568:2 B			<input type="checkbox"/> ANSI/ASTM			<input type="checkbox"/> CSA		
Conforme alle norme													