



SAFIT Srl

Via Casonetto,17
36050 Friola (VI)
~ ITALY ~
Tel.0444 668335

Technical Data Sheet
Aluminium toe cap

Tabella Dimensionale

Puntali Alluminio

Type

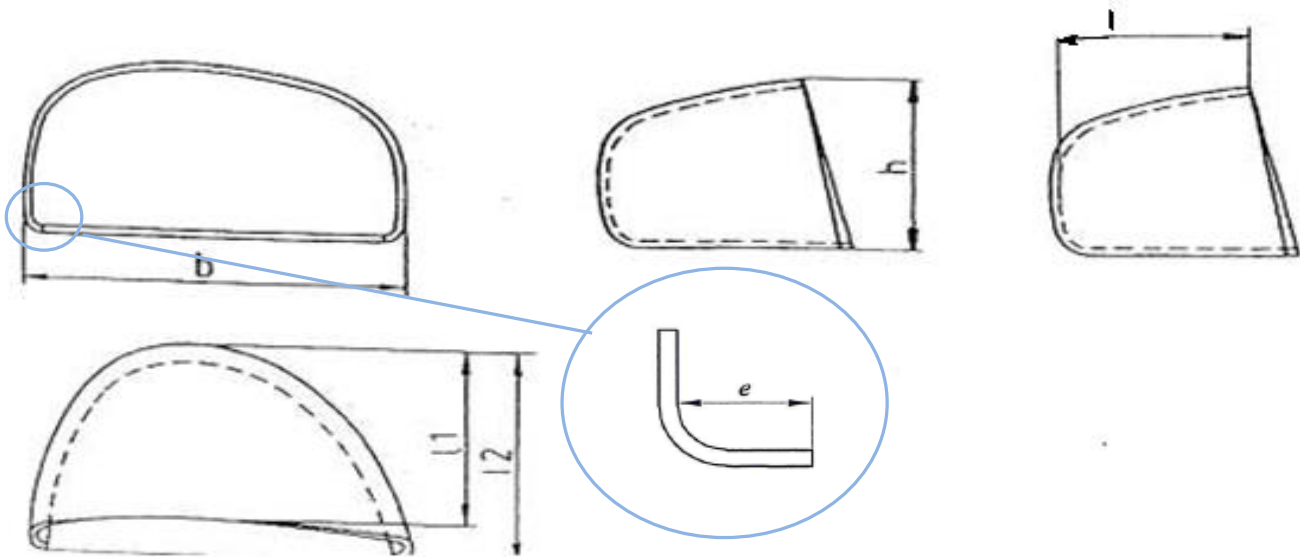
Modello

701J

Written by: Nikola Kostic

Date: 01/12/2016

Rev.00



dimension unit:		millimetre											KG
Tolerance:		±0,05	±0,7	±0,5	±1	±1	±1	-2/ +2	Minimal requirement of		Average performance		± 0,010
Size #	strip lenght - code ref.:	raw material thickness	b	h	l1	l2	l	e	ISO EN 22568:1 A	ISO EN 22568:1 B	200J	15KN	Weight (1 pairs)
4													
5													
6													
7		2,5	88,8	47,5	45,0	48,9	42,5	8,0	20,5	24,5	22,0	33,5	0,106
8		2,5	90,3	48,5	45,6	49,5	43,1	8,0	21,0	25,0	23,5	35,5	0,110
9		2,5	94,1	49,0	48,0	51,0	45,5	8,0	21,5	25,5	26,0	36,0	0,122
10		2,5	94,5	50,0	48,5	52,5	46,0	8,0	22,0	26,0	26,5	36,5	0,126
11		2,5	95,0	51,5	49,0	52,0	46,5	8,0	22,0	26,0	26,5	36,5	0,130
Conformity to the norm			<input checked="" type="checkbox"/> ISO EN 22568:1 A				<input type="checkbox"/> ISO EN 22568:1 B			<input type="checkbox"/> ANSI/ASTM		<input type="checkbox"/> CSA	
<i>Conforme alle norme</i>													