



SAFIT Srl
Via Casonetto,17
36050 Friola (VI)
-- ITALY --
Tel.0444 668335

Technical Data Sheet
Fiberglass toe cap
Tabella Dimensionale
Puntali Fibra Vetro

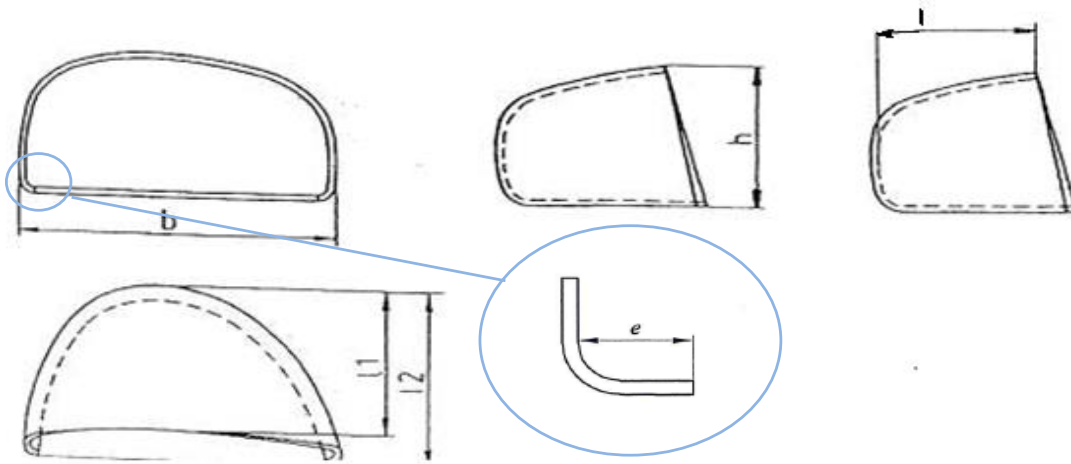
Type *Modello*

702

Written by: Nikola Kostic

Date: 01/12/2016

Rev.00



dimension unit:		millimetre											KG
Tolerance:		±0,05	±0,7	±0,5	±1	±1	±1	-2/ +2	Minimal requirement of		Average performance		± 0,010
Size #	strip length - code ref.:	raw material thickness	b	h	l1	l2	l	e	ISO EN 22568:2 A	ISO EN 22568:2 B	200J	15KN	Weight (1 pairs)
3													
4													
5													
6													
7													
8			89,0	46,0	46,5	50,3		8,0	21,0	25,0	27,0	36,0	0,144
9			92,0	48,0	48,5	52,5		8,0	21,5	25,5	28,0	38,0	0,158
10			94,5	48,5	50,5	54,1		8,0	22,0	26,0	30,0	40,0	0,168
11			96,5	50,0	51,3	55,5		8,0	22,0	26,0	31,5	40,5	0,180
Conformity to the norm			<input checked="" type="checkbox"/> ISO EN 22568:2 A				<input checked="" type="checkbox"/> ISO EN 22568:2 B			<input checked="" type="checkbox"/> ANSI/ASTM		<input checked="" type="checkbox"/> CSA	
<i>Conforme alle norme</i>													