



**SAFIT Srl**

Via Casonetto,17  
36050 Friola (VI)  
-- ITALY --  
Tel.0444 668335

**Technical Data Sheet  
Steel toe cap**

Tabella Dimensionale

Puntali Acciaio

Type

Modello

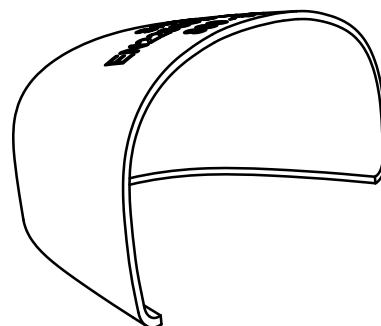
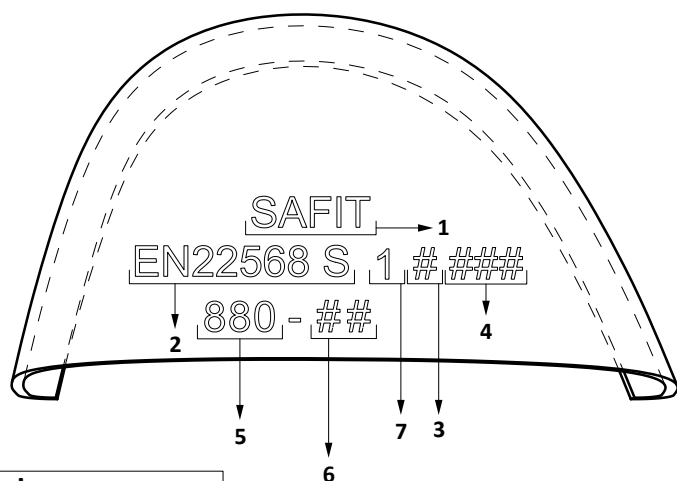
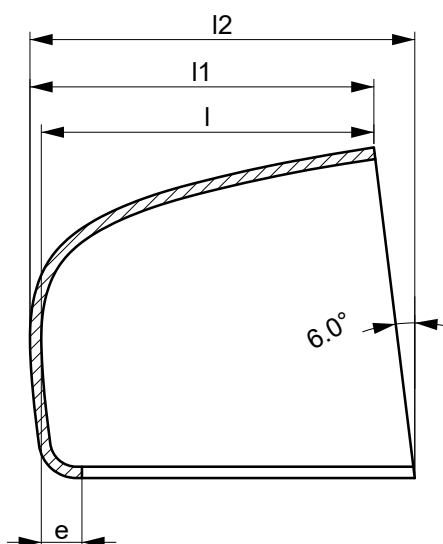
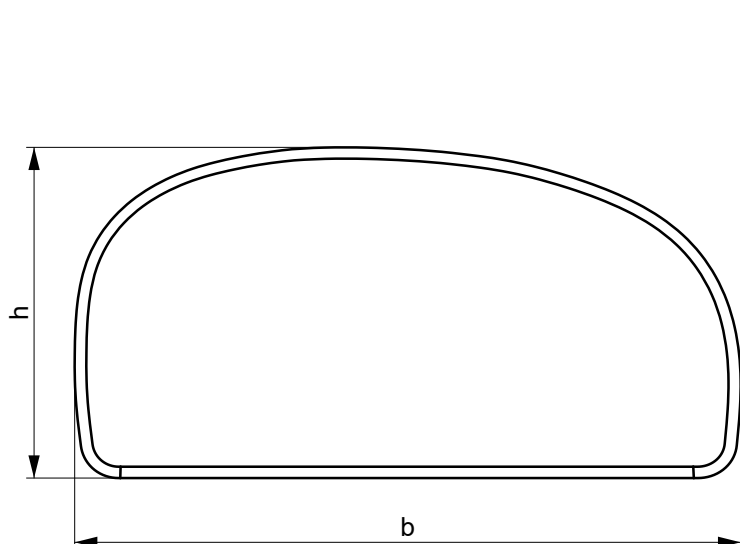
**880**

MADE IN ITALY

Written by: Nikola Kostic

Date: 07/01/2023

Rev.02



1	producer name
2	normative ref.
3	type A or B
4	batch number
5	model
6	size/ R or L
7	metallic toe caps ref.

average hardness of steel revealed  
on the top of the toe in the center position : HRc = 48 ± 2

dimension unit:		millimeter							KG				
Tolerance:		±0,05	±0,7	±0,5	±1	±1	±1	-2/ +2	Minimal requirement of		Average performance		± 0,010
Size #	strip lenght - code ref.:	raw material thickness	b	h	l1	l2	l	e	ISO EN 22568:1 A	ISO EN 22568:1 B	200J	15KN	Weight (1 pairs)
4													
5													
6		1,6	79,0	39,5	42,0	45,5	40,4	8,0	20,0	24,0			0,156
7		1,6	82,5	41,0	43,3	47,0	41,7	8,0	20,5	24,5			0,160
8		1,6	85,0	42,1	44,7	48,6	43,1	8,0	21,0	25,0			0,168
9		1,5	87,0	43,0	45,7	51,0	44,2	8,0	21,5	25,5			0,174
10		1,5	88,5	44,0	47,0	49,5	45,5	8,0	22,0	26,0			0,188
11													
12													

Conformity to the norm Conforme alle norme	<input checked="" type="checkbox"/> ISO EN 22568:1 A	<input type="checkbox"/> ISO EN 22568:1 B	<input checked="" type="checkbox"/> ANSI/ASTM	<input checked="" type="checkbox"/> CSA
---	--	---	---	---