



SAFIT Srl
Via Casonetto,17
36050 Friola (VI)
-- ITALY --
Tel.0444 668335

Technical Data Sheet
Fiberglass toe cap
Tabella Dimensionale
Puntali Fibra Vetro

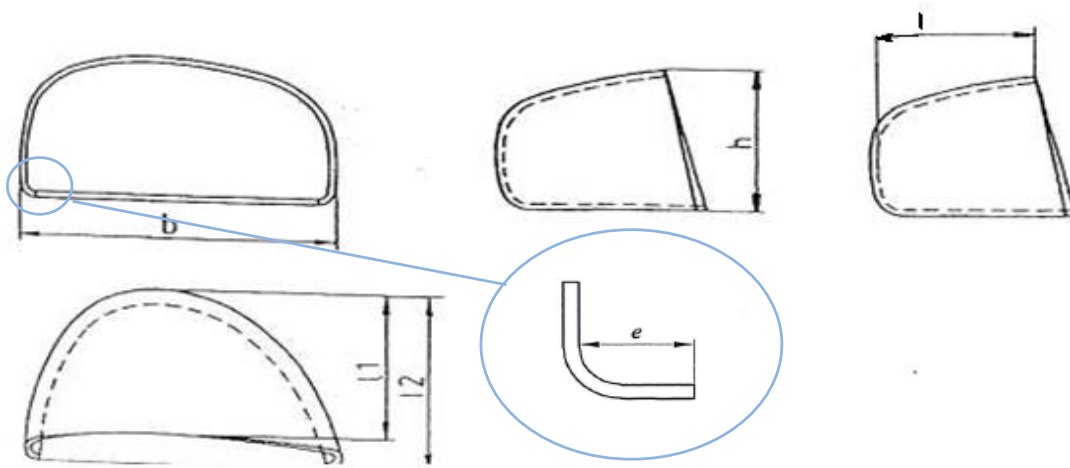
Type Modello

885

Written by: Nikola Kostic

Date: 01/12/2016

Rev.00



dimension unit:		millimetre											KG
Tolerance:		±0,05	±0,7	±0,5	±1	±1	±1	-2/+2	Minimal requirement of		Average performance		± 0,010
Size #	strip length - code ref.:	raw material thickness	b	h	l1	l2	l	e	ISO EN 22568:2 A	ISO EN 22568:2 B	200J	15KN	Weight pairs) ⁽¹⁾
3			81,3	40,5	45,1	51,3		8,0	19,5	23,5	23,0	36,0	0,122
4													
5			83,8	41,0	46,0	52,4		8,0	19,5	23,5	25,0	36,5	0,134
6													
7			85,5	41,5	48,5	53,0		8,0	20,5	24,5	26,0	37,0	0,130
8													
9			87,5	43,0	47,5	52,5		8,0	21,5	25,5	26,5	37,0	0,130
10													
11			94,0	46,0	51,8	55,5		8,0	22,0	26,0	26,5	37,5	0,146
12													
13			96,0	48,0	52,5	56,0		8,0	22,0	26,0	27,0	38,0	0,140

Conformity to the norm <i>Conforme alle norme</i>	<input checked="" type="checkbox"/> ISO EN 22568:2 A	<input type="checkbox"/> ISO EN 22568:2 B	<input checked="" type="checkbox"/> ANSI/ASTM	<input checked="" type="checkbox"/> CSA
--	--	---	---	---