



SAFIT Srl

Via Casonetto,17
36050 Friola (VI)
~ ITALY ~
Tel.0444 668335

Technical Data Sheet
Fibre carbon toe cap

Tabella Dimensionale

Fibra di Carbonio

Type

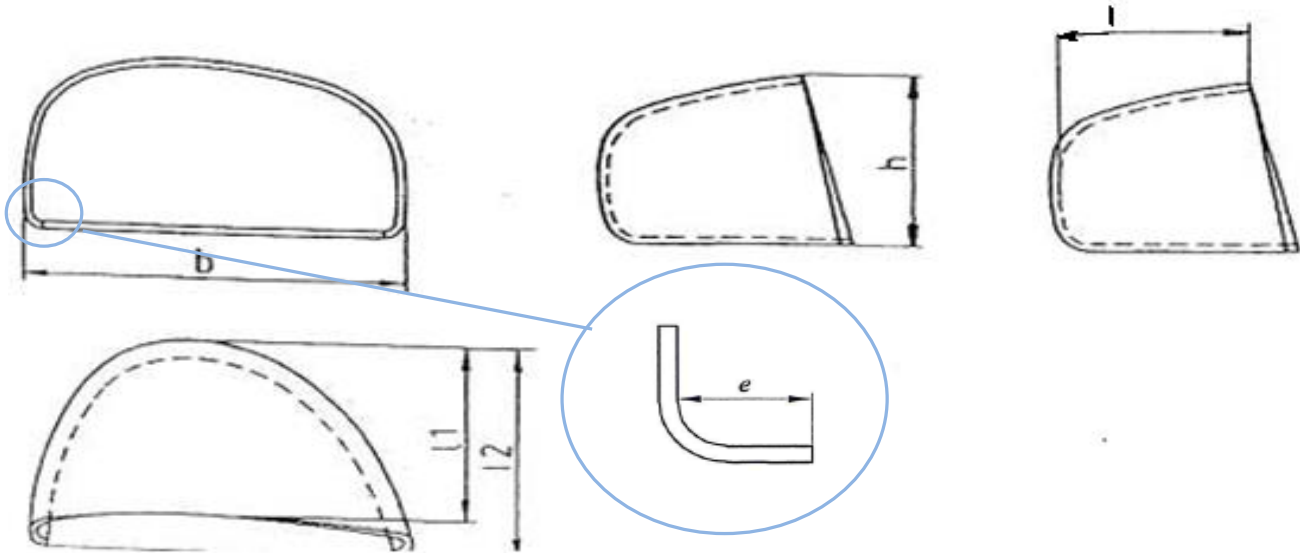
Modello

897

Written by: Nikola Kostic

Date: 01/12/2016

Rev.00



dimension unit:		millimetre										KG	
Tolerance:		±0,05	±0,7	±0,5	±1	±1	±1	-2/ +2	Minimal requirement of		Average performance		± 0,010
Size #	strip lenght - code ref.:	raw material thickness	b	h	l1	l2	l	e	ISO EN 22568:1 A	ISO EN 22568:1 B	200J	15KN	Weight (1 pairs)
3			84,2	495	51,6			8,0	19,5	23,5	23,0	40,0	0,130
4													
5			86,5	51,0	52,0			8,0	19,5	23,5	25,0	42,0	0,134
6													
7			86,5	51,0	53,5			8,0	20,5	25,0	25,5	43,0	0,130
8													
9			90,0	52,5	54,5			8,0	21,5	26,0	26,0	43,5	0,130
10													
11			95,0	56,0	59,0			8,0	22,0	26,0	26,5	46,0	0,146
12													
13			98,0	57,5	61,5			8,0	22,0	26,0	27,0	47,0	0,140
Conformity to the norm			<input checked="" type="checkbox"/> ISO EN 22568:1 A				<input type="checkbox"/> ISO EN 22568:1 B			<input checked="" type="checkbox"/> ANSI/ASTM		<input checked="" type="checkbox"/> CSA	
Conforme alle norme													