



SAFIT Srl
Via Casonetto,17
36050 Friola (VI)
-- ITALY --
Tel.0444 668335

Technical Data Sheet
Fiberglass toe cap
Tabella Dimensionale
Puntali Fibra Vetro

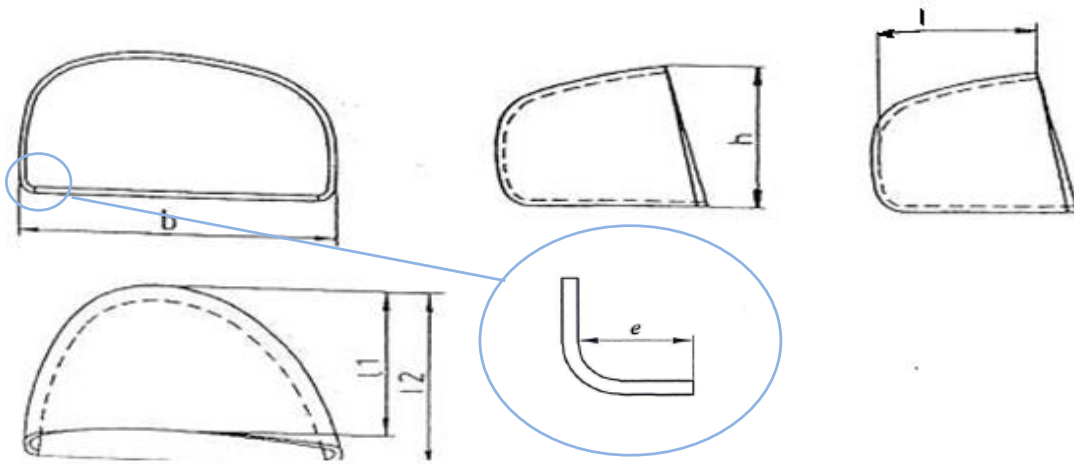
Type Modello

897

Written by: Nikola Kostic

Date: 01/12/2016

Rev.00



dimension unit:		millimetre											KG
Tolerance:		±0,05	±0,7	±0,5	±1	±1	±1	-2/ +2	Minimal requirement of		Average performance		± 0,010
Size #	strip lenght code ref.:	raw material thickness	b	h	l1	l2	l	e	ISO EN 22568:2 A	ISO EN 22568:2 B	200J	15KN	Weight (f pairs)
3			84,2	49,5	51,6			8,0	19,5	23,5	23,0	40,0	0,130
4													
5			86,5	51,0	52,0			8,0	19,5	23,5	25,0	42,0	0,134
6													
7			86,5	51,0	53,5			8,0	20,5	24,5	25,5	43,0	0,130
8													
9			90,0	52,5	54,5			8,0	21,5	25,5	26,0	43,5	0,130
10													
11			95,0	56,0	59,0			8,0	22,0	26,0	26,5	46,0	0,146
12													
13			98,0	57,5	61,5			8,0	22,0	26,0	27,0	47,0	0,140

Conformity to the norm
Conforme alle norme

ISO EN 22568:2 A

ISO EN 22568:2 B

ANSI/ASTM

CSA