



**SAFIT Srl**

Via Casonetto,17  
36050 Friola (VI)  
-- ITALY --  
Tel.0444 668335

**Technical Data Sheet  
Composite toe cap**

**Tabella Dimensionale**

**Puntali Composito**

**Type**

**Modello**

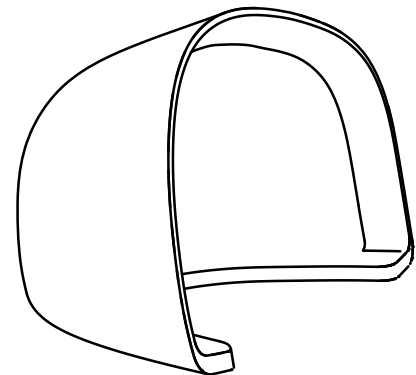
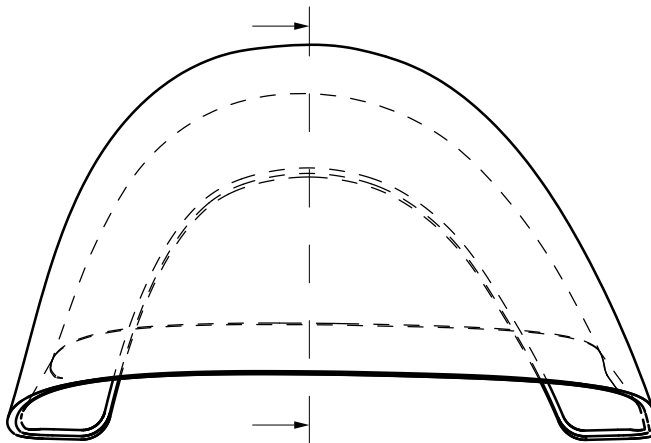
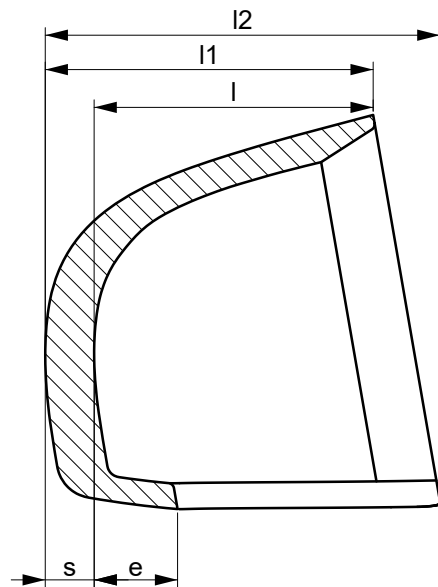
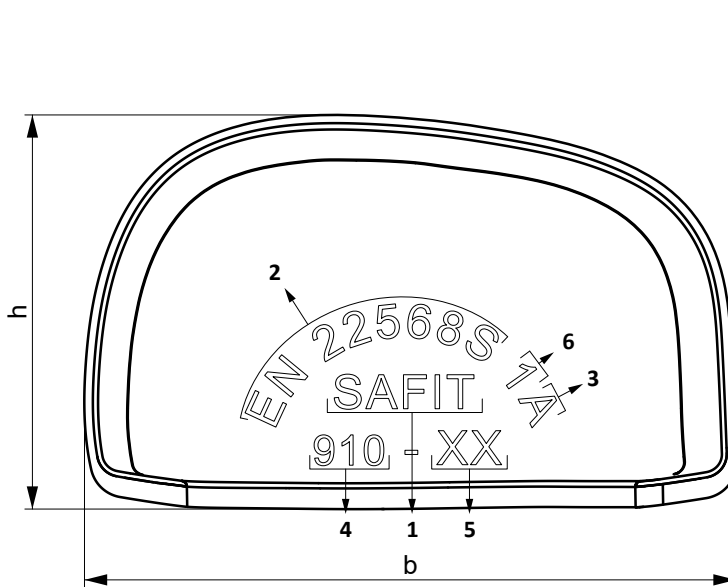
**910**

MADE IN ITALY

Written by: Nikola Kostic

Date: 07/01/2023

Rev.02



1	producer name
2	normative ref.
3	type A or B
4	model
5	size/R or L
6	no metallic toe caps ref.

dimension unit:		millimeter										KG	
Tolerance:		±0,7	±0,5	±1	±1	±1	-2/ +2	Minimal requirement of		Average performance		± 0,010	
Size #	strip length - code ref.:	s (max thickness)	b	h	l1	l2	l	e	ISO EN 22568:1 A	ISO EN 22568:1 B	200J	15KN	Weight (1 pairs)
6													
7													
8													
9													
10													
11													
12		9,0	103,5	63,0	52,0	59,1	47,5	8,0	22,0	26,0	30,5	24,5	0,134
13		9,0	106,0	65,0	56,0	62,0	52,0	8,0	22,0	26,0	31,0	25,5	0,150
14		9,0	110,0	66,0	58,0	65,0	53,5	8,0	22,0	26,0	31,5	25,5	0,160

Conformity to the norm Conforme alle norme	<input checked="" type="checkbox"/> ISO EN 22568:1 A	<input type="checkbox"/> ISO EN 22568:1 B	<input type="checkbox"/> ANSI/ASTM	<input type="checkbox"/> CSA
---	--	---	------------------------------------	------------------------------