



SAFIT Srl

Via Casonetto,17
36050 Friola (VI)
-- ITALY --
Tel.0444 668335

**Technical Data Sheet
Composite toe cap**

Tabella Dimensionale

Puntali Composito

Type

Modello

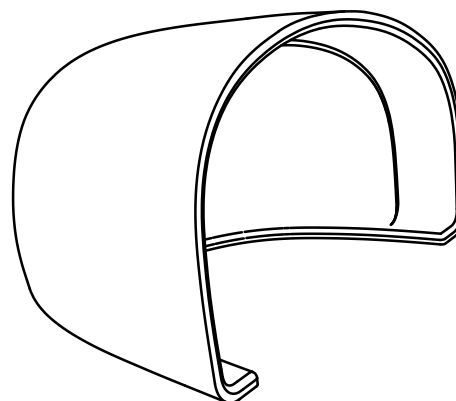
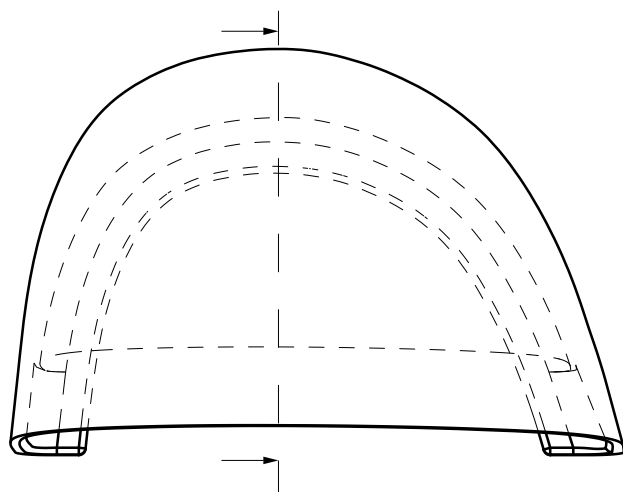
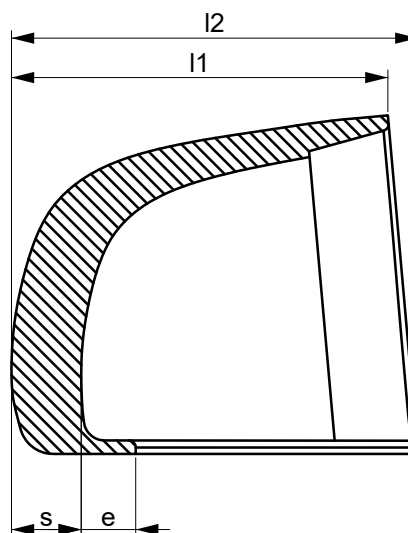
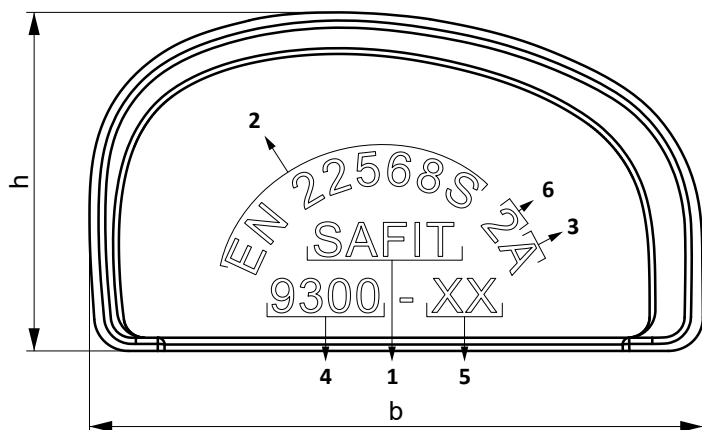
9300

MADE IN ITALY

Written by: Nikola Kostic

Date: 07/01/2023

Rev.02



1	producer name
2	normative ref.
3	type A or B
4	model
5	size/R or L
6	no metallic toe caps ref.

dimension unit:		millimeter										KG	
Tolerance:			±0,7	±0,5	±1	±1	±1	-2/ +2	Minimal requirement of		Average performance		± 0,010
Size #	strip lenght - code ref.:	s (max thickness)	b	h	l1	l2	l	e	ISO EN 22568:1 A	ISO EN 22568:1 B	200J	15KN	Weight (1 pairs)
4													
5		9,0	85,7	43,7	46,5	48,8		8,0	19,5	23,5	25,5	31,5	0,088
6		8,5	87,4	44,1	47,4	49,5		8,0	20,0	24,0	26,5	33,0	0,090
7		9,0	89,3	45,6	50,3	52,5		8,0	20,5	24,5	26,5	32,5	0,098
8		9,0	90,0	46,1	51,4	53,3		8,0	21,0	25,0	27,0	32,0	0,106
9		9,0	92,0	46,2	52,4	54,2		8,0	21,5	25,5	28,0	33,5	0,108
10		9,0	93,2	47,1	54,5	56,5		8,0	22,0	26,0	29,0	35,0	0,114
11													
12													

Conformity to the norm Conforme alle norme	<input checked="" type="checkbox"/> ISO EN 22568:1 A	<input type="checkbox"/> ISO EN 22568:1 B	<input type="checkbox"/> ANSI/ASTM	<input type="checkbox"/> CSA
-----------------------------------------------	------------------------------------------------------	-------------------------------------------	------------------------------------	------------------------------