



SAFIT Srl

Via Casonetto,17
36050 Friola (VI)
-- ITALY --
Tel.0444 668335

**Technical Data Sheet
Steel toe cap**

Tabella Dimensionale

Puntali Acciaio

Type

Modello

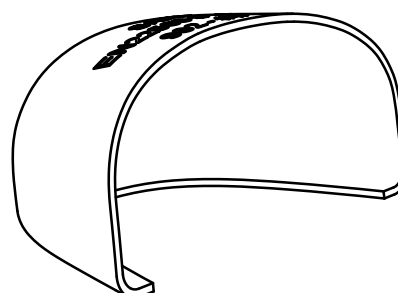
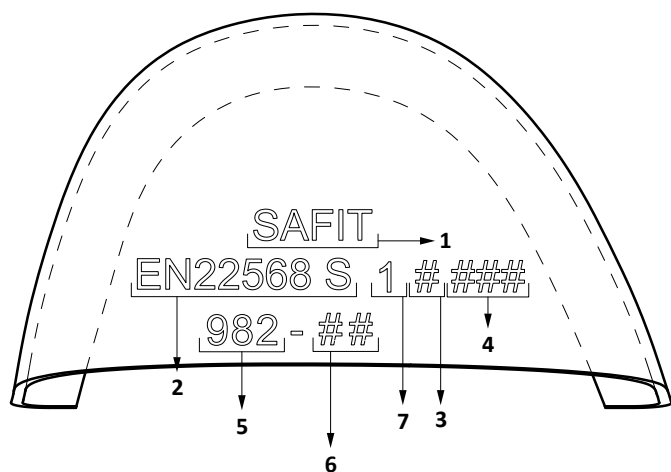
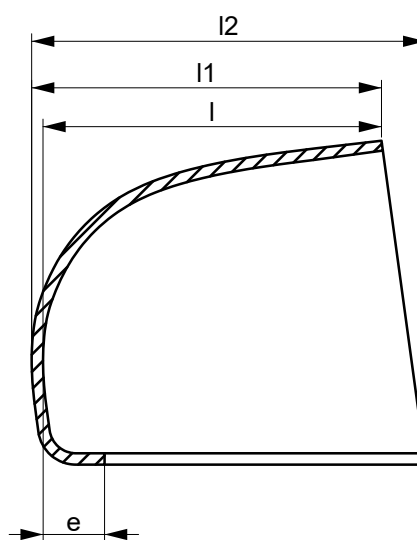
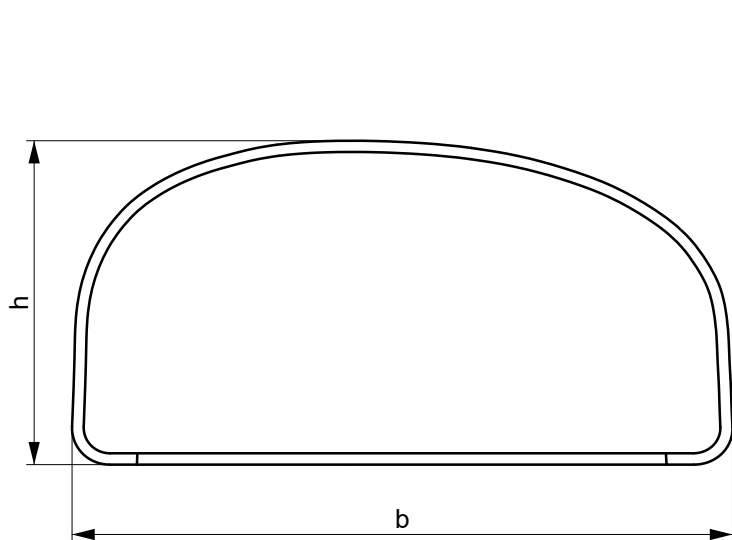
982

MADE IN ITALY

Written by: Nikola Kostic

Date: 07/01/2023

Rev.02



1	producer name
2	normative ref.
3	type A or B
4	batch number
5	model
6	size/ R or L
7	metallic toe caps ref.

average hardness of steel revealed
on the top of the toe in the center position :HRc = 48 ± 2

dimension unit:		millimeter										KG	
Tolerance:		±0,05	±0,7	±0,5	±1	±1	±1	-2/ +2	Minimal requirement of		Average performance		± 0,010
Size #	strip lenght - code ref.:	raw material thickness	b	h	l1	l2	l	e	ISO EN 22568:1 A	ISO EN 22568:1 B	200J	15KN	Weight (1 pairs)
4													
5													
6													
7		1,6	80,5	38,0	42,7	46,5	41,1	8,0	20,5	24,5	21,5	28,0	0,148
8		1,6	84,4	41,0	44,5	49,0	42,9	8,0	21,0	25,0	22,0	30,0	0,160
9		1,5	86,2	42,5	46,0	50,0	44,5	8,0	21,5	25,5	24,5	32,0	0,178
10		1,5	88,5	43,7	47,5	51,5	46,0	8,0	22,0	26,0	23,0	33,0	0,184
11													
12													

Conformity to the norm Conforme alle norme	<input checked="" type="checkbox"/> ISO EN 22568:1 A	<input type="checkbox"/> ISO EN 22568:1 B	<input checked="" type="checkbox"/> ANSI/ASTM	<input checked="" type="checkbox"/> CSA
---	--	---	---	---