



**SAFIT Srl**  
Via Casonetto,17  
36050 Friola (VI)  
-- ITALY --  
Tel.0444 668335

**Technical Data Sheet**  
**Fibre Carbon toe cap**

*Tabella Dimensionale*  
*Fibra di Carbonio*

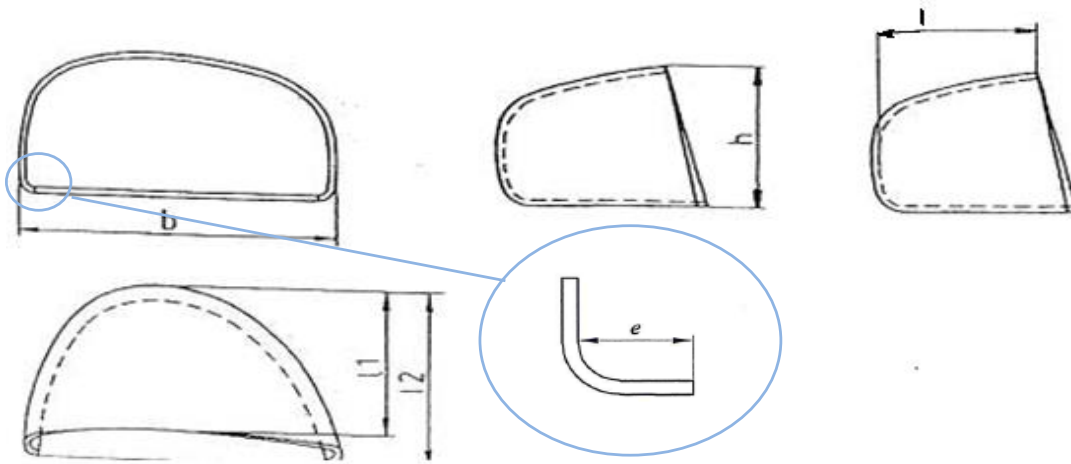
Type Modello

# AHG

Written by: Nikola Kostic

Date: 01/12/2016

Rev.00



dimension unit:		millimetre										KG	
Tolerance:		±0,05	±0,7	±0,5	±1	±1	±1	-2/+2	Minimal requirement of		Average performance		± 0,010
Size #	strip length - code ref.:	raw material thickness	b	h	l1	l2	l	e	ISO EN 22568:1 A	ISO EN 22568:1 B	200J	15KN	Weight (1 pairs)
3			78,1	40,4	42,0				19,5	23,5	24,0	32,0	0,120
4			78,5	40,0	42,3				19,5	23,5	24,5	33,0	0,116
5			81,0	40,0	44,0				19,5	23,5	25,0	34,0	0,122
6			83,5	42,0	43,0				20,0	24,0	26,5	34,5	0,122
7			86,0	44,0	43,5				20,5	24,5	27,0	34,5	0,122

<b>Conformity to the norm</b>		<input checked="" type="checkbox"/> ISO EN 22568:1 A	<input type="checkbox"/> ISO EN 22568:1 B	<input checked="" type="checkbox"/> ANSI/ASTM	<input checked="" type="checkbox"/> CSA
<i>Conforme alle norme</i>					