



**SAFIT Srl**

Via Casonetto,17  
36050 Friola (VI)  
-- ITALY --  
Tel.0444 668335

**Technical Data Sheet**  
**Fiber glass toe cap**

**Tabella Dimensionale**  
**Puntali Fibra Vetro**

**Type**

**Modello**

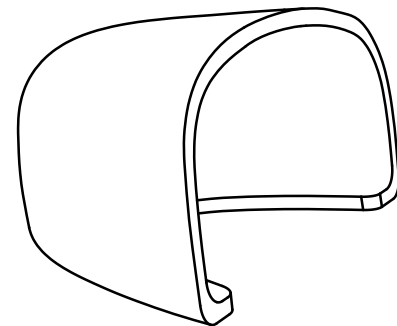
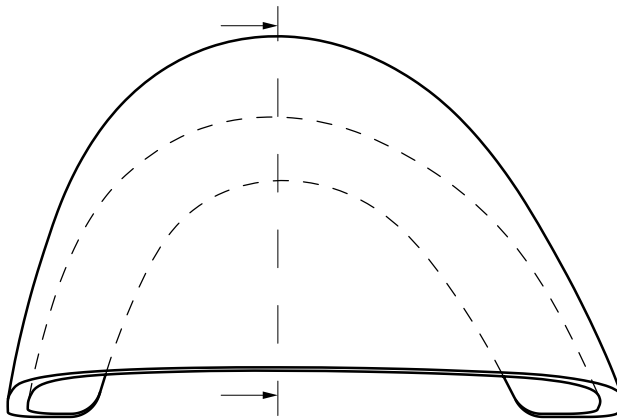
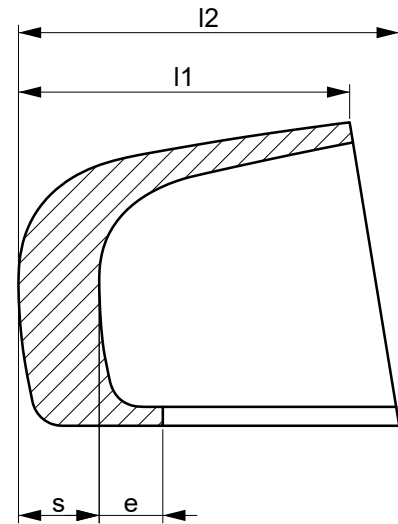
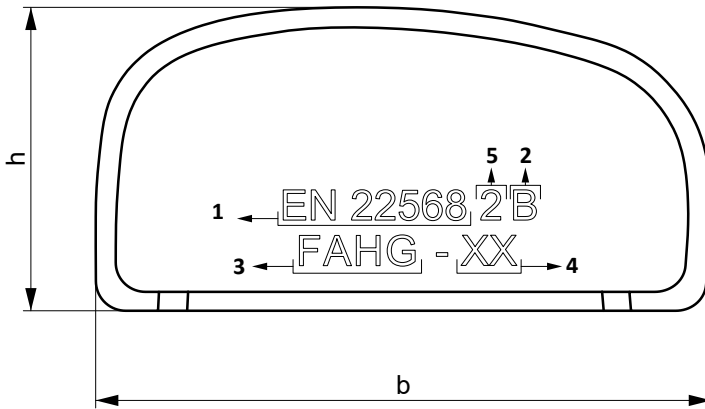
**AHG**

MADE IN ITALY

Written by: Nikola Kostic

Date: 07/01/2023

Rev.02



1	normative ref.
2	type A or B
3	model
4	size/R or L
5	no metallic toe caps ref.

dimension unit:		millimeter										KG	
Tolerance:		±0,7	±0,5	±1	±1	±1	-2/+2	Minimal requirement of		Average performance		± 0,010	
Size #	strip lenght - code ref.:	s (max thickness)	b	h	l1	l2	l	e	ISO EN 22568:1 A	ISO EN 22568:1 B	200J	15KN	Weight (1 pairs)
3		10,0	78,1	40,4	42,0	43,0		8,0	19,5	23,5	24,0	32,0	0,120
4		10,0	78,5	40,0	42,3	43,3		8,0	19,5	23,5	24,5	33,0	0,116
5		10,5	81,0	40,0	44,0	45,0		8,0	19,5	23,5	25,0	34,0	0,122
6		9,5	83,5	42,0	43,0	44,0		8,0	20,5	24,0	26,5	34,5	0,122
7		9,0	86,0	44,0	43,5	44,5		8,0	20,5	24,5	27,0	34,5	0,122
8													
9													
10													
11													

Conformity to the norm Conforme alle norme	<input checked="" type="checkbox"/> ISO EN 22568:1 A	<input checked="" type="checkbox"/> ISO EN 22568:1 B	<input type="checkbox"/> ANSI/ASTM	<input type="checkbox"/> CSA
---	--	--	------------------------------------	------------------------------