



SAFIT Srl

Via Casonetto,17
36050 Friola (VI)
- ITALY -
Tel.0444 668335

Technical Data Sheet
Aluminium toe cap

Tabella Dimensionale

Puntali Alluminio

Type

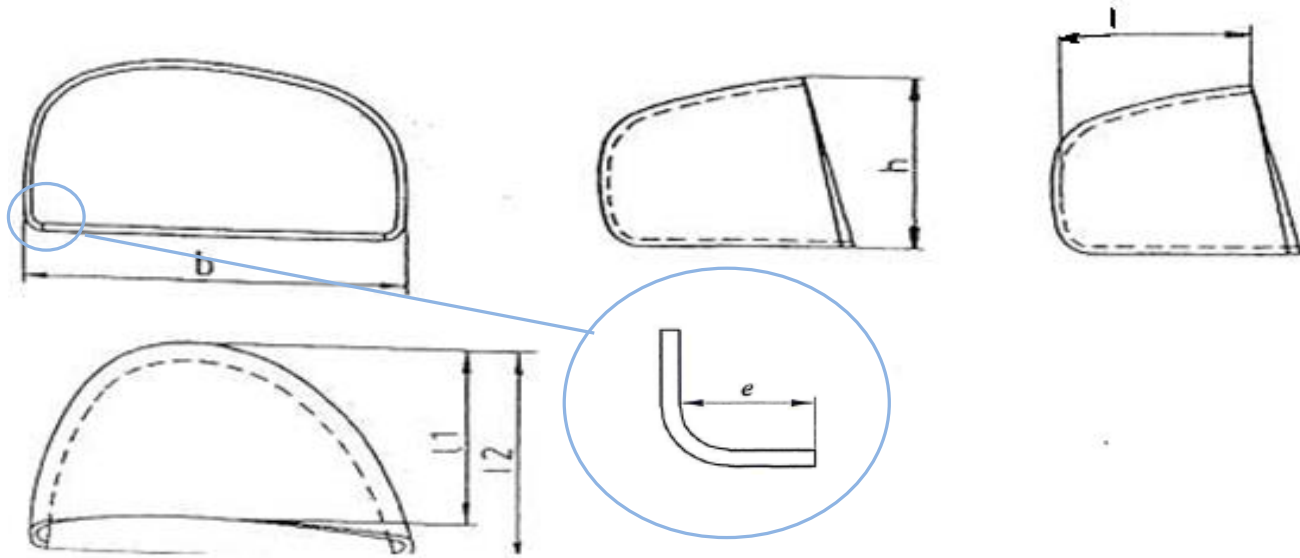
Modello

ATZ

Written by: Nikola Kostic

Date: 01/12/2016

Rev.00



| dimension unit: | | millimetre | | | | | | | | | | | KG |
|-------------------------------|---------------------------------|---------------------------|--|------|------|------|------|---|------------------------|------------------------------------|---------------------|------------------------------|---------------------|
| Tolerance: | | ±0,05 | ±0,7 | ±0,5 | ±1 | ±1 | ±1 | -2/ +2 | Minimal requirement of | | Average performance | | ± 0,010 |
| Size # | strip lenght - code ref.: | raw material thickness | b | h | l1 | l2 | l | e | ISO EN 22568:1 A | ISO EN 22568:1 B | 200J | 15KN | Weight (1 pairs) |
| 4 | | | | | | | | | | | | | |
| 5 | | | | | | | | | | | | | |
| 6 | | | | | | | | | | | | | |
| 7 | | 2,5 | 91,8 | 47,1 | 43,7 | 47,2 | 41,2 | 8,0 | 20,5 | 24,5 | 24,0 | 30,5 | 0,126 |
| 8 | | 2,5 | 94,0 | 46,7 | 47,2 | 50,6 | 44,7 | 8,0 | 21,0 | 25,0 | 24,5 | 30,0 | 0,130 |
| 9 | | 2,5 | 95,2 | 48,9 | 47,0 | 51,6 | 44,5 | 8,0 | 21,5 | 25,5 | 25,0 | 31,0 | 0,136 |
| 10 | | 2,5 | 98,7 | 50,7 | 47,8 | 50,5 | 45,3 | 8,0 | 22,0 | 26,0 | 25,0 | 31,5 | 0,136 |
| 11 | | 2,5 | 101,7 | 52,0 | 49,8 | 52,5 | 47,3 | 8,0 | 22,0 | 26,0 | 25,5 | 33,0 | 0,152 |
| 12 | | | | | | | | | | | | | |
| 13 | | | | | | | | | | | | | |
| 14 | | | | | | | | | | | | | |
| Conformity to the norm | | | <input checked="" type="checkbox"/> ISO EN 22568:1 A | | | | | <input type="checkbox"/> ISO EN 22568:1 B | | <input type="checkbox"/> ANSI/ASTM | | <input type="checkbox"/> CSA | |
| <i>Conforme alle norme</i> | | | | | | | | | | | | | |