



SAFIT Srl

Via Casonetto,17
36050 Friola (VI)
~ ITALY ~
Tel.0444 668335

Technical Data Sheet

Fibre carbon toe cap

Tabella Dimensionale

Fibra di Carbonio

Type

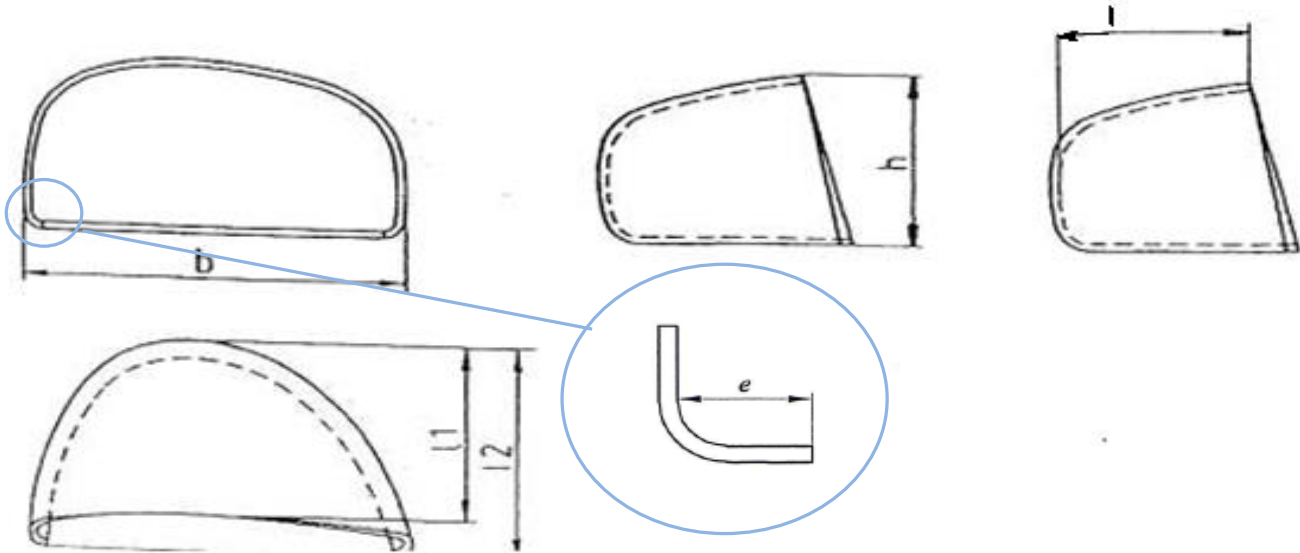
Modello

HX

Written by: Nikola Kostic

Date: 01/12/2016

Rev.00



dimension unit:		millimetre											KG
Tolerance:		±0,05	±0,7	±0,5	±1	±1	±1	-2/ +2	Minimal requirement of		Average performance		± 0,010
Size #	strip lenght - code ref.:	raw material thickness	b	h	l1	l2	l	e	ISO EN 22568:1 A	ISO EN 22568:1 B	200J	15KN	Weight (1 pairs)
4													
5													
6			88,0	39,5	44,5	47,5		8,0	20,0	24,0	21,5	31,0	0,110
7			96,0	41,0	46,5	48,0		8,0	20,5	24,5	22,5	32,0	0,120
8			93,5	43,0	48,0	50,0		8,0	21,0	25,0	23,5	33,0	0,130
9			95,2	43,8	49,0	51,0		8,0	21,5	25,5	24,0	36,0	0,128
10			97,0	44,9	50,0	52,0		8,0	22,0	26,0	25,0	37,5	0,132
11													
12													
Conformity to the norm Conforme alle norme			<input checked="" type="checkbox"/> ISO EN 22568:1 A				<input type="checkbox"/> ISO EN 22568:1 B		<input type="checkbox"/> ANSI/ASTM		<input type="checkbox"/> CSA		