



SAFIT Srl

Via Casonetto,17
36050 Friola (VI)
-- ITALY --
Tel.0444 668335

**Technical Data Sheet
Fiber glass toe cap**

**Tabella Dimensionale
Puntali Fibra Vetro**

Type

Modello

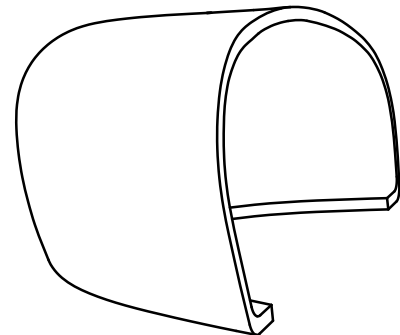
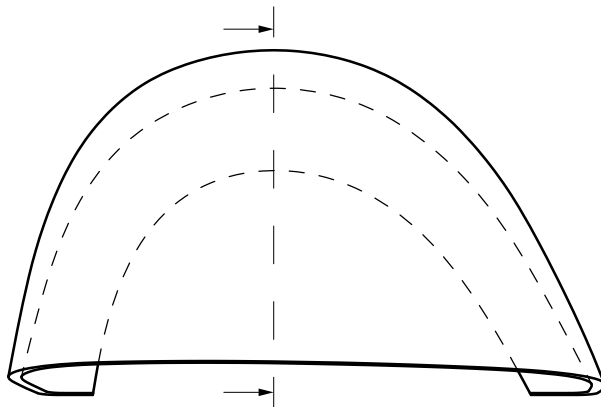
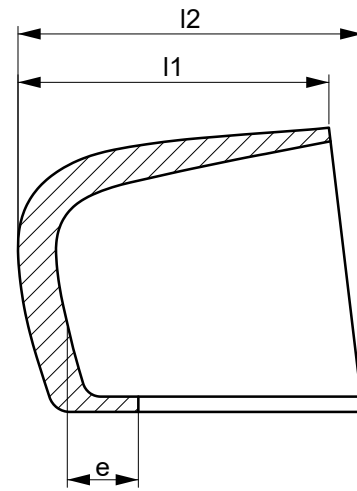
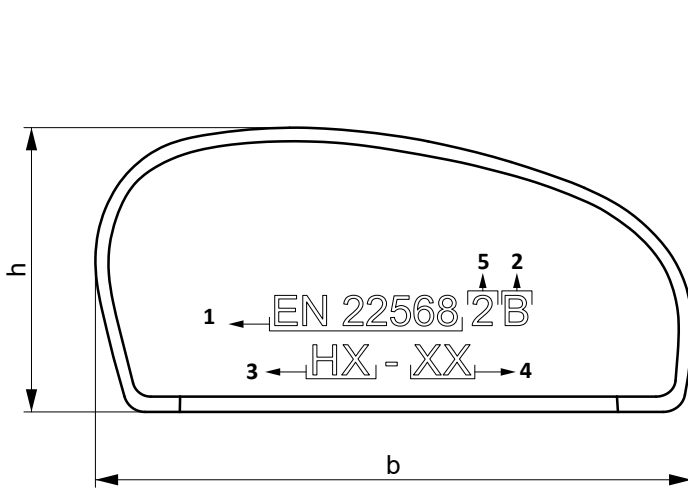
HX

MADE IN ITALY

Written by: Nikola Kostic

Date: 07/01/2023

Rev.02



1	normative ref.
2	type A or B
3	model
4	size/R or L
5	no metallic toe caps ref.

dimension unit:			millimeter							KG			
Tolerance:			±0,7	±0,5	±1	±1	±1	-2/ +2	Minimal requirement of		Average performance		± 0,010
Size #	strip lenght - code ref.:	s (max thickness)	b	h	l1	l2	l	e	ISO EN 22568:1 A	ISO EN 22568:1 B	200J	15KN	Weight (1 pairs)
4													
5													
6			88,0	39,5	44,5	47,5		8,0	20,0	24,0	21,5	31,0	0,120
7			96,0	41,0	46,5	48,0		8,0	20,5	24,5	22,5	32,0	0,130
8			93,5	43,0	48,0	50,0		8,0	21,0	25,0	23,5	33,0	0,128
9			95,2	43,8	49,0	51,0		8,0	21,5	25,5	24,0	36,0	0,132
10			97,0	44,9	50,0	52,0		8,0	22,0	26,0	25,0	37,5	0,132
11													
12													

Conformity to the norm Conforme alle norme	<input checked="" type="checkbox"/> ISO EN 22568:1 A	<input type="checkbox"/> ISO EN 22568:1 B	<input type="checkbox"/> ANSI/ASTM	<input type="checkbox"/> CSA
---	--	---	------------------------------------	------------------------------