



**SAFIT Srl**

Via Casonetto,17  
36050 Friola (VI)  
-- ITALY --  
Tel.0444 668335

MADE IN ITALY

**Technical Data Sheet**

**Steel toe cap**

Tabella Dimensionale

Puntali Acciaio

**Type**

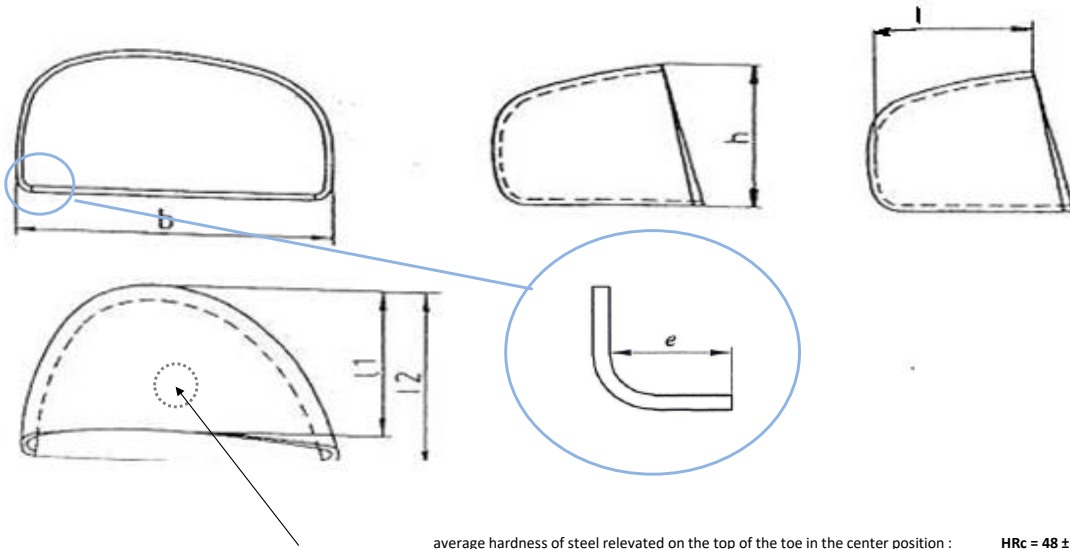
Modello

**TG2**

Written by: Nikola Kostic

Date: 01/12/2016

Rev.00



average hardness of steel releaved on the top of the toe in the center position : **HRC = 48 ± 2**

dimension unit:		millimetre											KG
Tolerance:		±0,05	±0,7	±0,5	±1	±1	±1	-2/ +2	Minimal requirement of		Average performance		± 0,010
Size #	strip lenght code ref.:	raw material thickness	b	h	l1	l2	l	e	ISO EN 22568:1 A	ISO EN 22568:1 B	200J	15KN	Weight (1 pairs)
4													
5													
6		1,8	77,8	39,5	41,1	45,6	39,3	8,0	20,0	24,0	22,0	31,0	0,178
7		1,8	83,0	40,5	44,0	47,5	42,2	8,0	20,5	24,5	22,5	32,0	0,180
8		1,8	85,6	41,6	45,2	50,1	43,4	8,0	21,0	25,0	23,5	32,0	0,184
9		1,8	88,2	41,6	46,8	51,4	45,0	8,0	21,5	25,5	24,0	32,5	0,186
10		1,8	88,7	43,1	46,9	51,8	45,1	8,0	22,0	26,0	24,5	33,0	0,188
11													
12													
<b>Conformity to the norm</b>			<input checked="" type="checkbox"/> ISO EN 22568:1 A					<input type="checkbox"/> ISO EN 22568:1 B		<input checked="" type="checkbox"/> ANSI/ASTM		<input checked="" type="checkbox"/> CSA	
Conforme alle norme													