



SAFIT Srl

Via Casonetto,17
36050 Friola (VI)
-- ITALY --
Tel.0444 668335

**Technical Data Sheet
Steel toe cap**

Tabella Dimensionale

Puntali Acciaio

Type

Modello

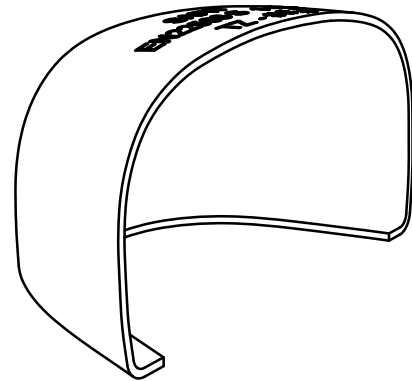
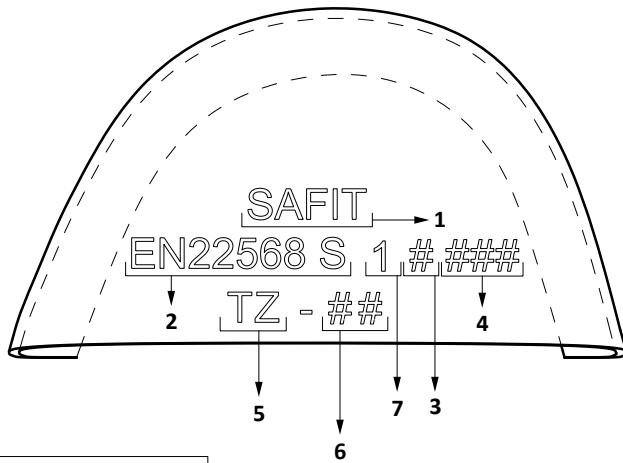
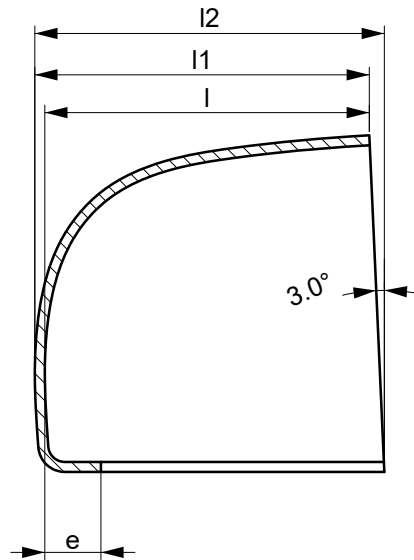
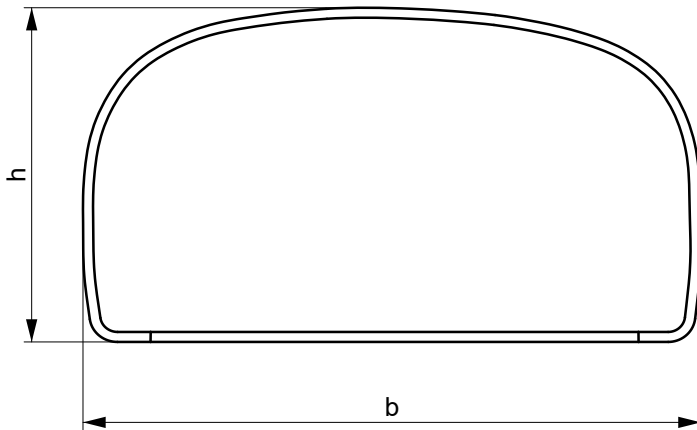
TZ

MADE IN ITALY

Written by: Nikola Kostic

Date: 07/01/2023

Rev.02



1	producer name
2	normative ref.
3	type A or B
4	batch number
5	model
6	size/ R or L
7	metallic toe caps ref.

average hardness of steel releaved
on the top of the toe in the center position :HRc = 48 ± 2

dimension unit:		millimeter											KG
Tolerance:		±0,05	±0,7	±0,5	±1	±1	±1	-2/ +2	Minimal requirement of		Average performance		± 0,010
Size #	strip lenght code ref.:	raw material thickness	b	h	l1	l2	l	e	ISO EN 22568:1 A	ISO EN 22568:1 B	200J	15KN	Weight (1 pairs)
4													
5													
6		2,0	78,7	39,5	42,0	48,2	40,7	8,0	20,0	24,0	25,0	32,5	0,185
7													
8		1,8	78,7	41,7	43,5	50,5	40,7	8,0	21,0	25,0	26,0	34,0	0,207
9													
10		1,8	84,2	43,6	46,2	52,4	40,7	8,0	22,0	26,0	29,0	34,5	0,217
11													
12													

Conformity to the norm Conforme alle norme	<input checked="" type="checkbox"/> ISO EN 22568:1 A	<input type="checkbox"/> ISO EN 22568:1 B	<input checked="" type="checkbox"/> ANSI/ASTM	<input checked="" type="checkbox"/> CSA
---	--	---	---	---