



SAFIT Srl

Via Casonetto,17
36050 Friola (VI)
-- ITALY --
Tel.0444 668335

MADE IN ITALY

Technical Data Sheet

Composite toe cap

Tabella Dimensionale

Puntali Composito

Type

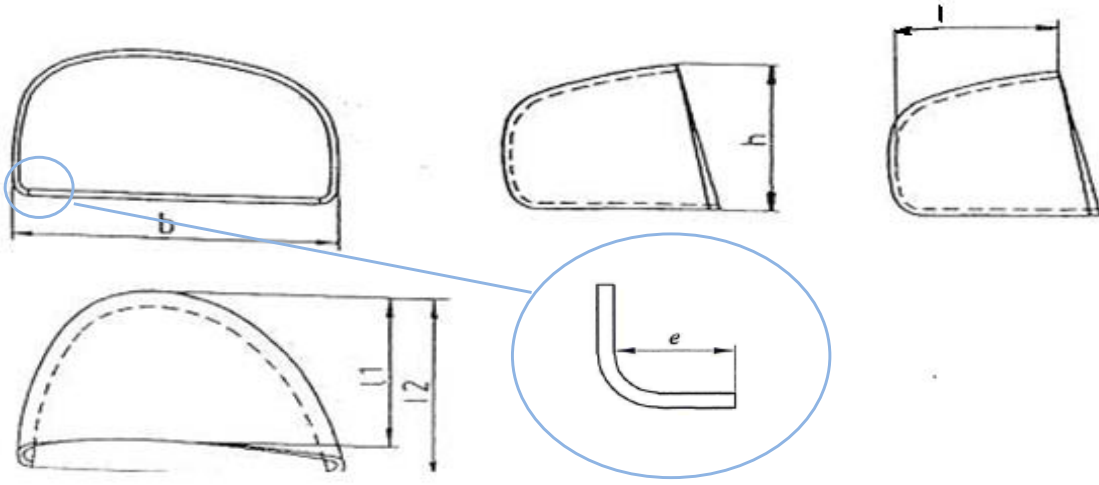
Modello

TZRO

Written by: Nikola Kostic

Date: 01/12/2016

Rev.00



dimension unit:		millimetre										KG		
Tolerance:		±0,05	±0,7	±0,5	±1	±1	±1	-2/+2	Minimal requirement of		Average performance		± 0,010	
Size #	strip lenght code ref.:	raw material thickness	b	h	l1	l2	l	e	ISO EN 22568:1 A	ISO EN 22568:1 B	200J	15KN	Weight (1 pairs)	
3														
4														
5														
6														
7														
8														
9														
10														
11														
12														
13			115,0	70,5	63,0	65,0		8,0	22,0	26,0	31,0	25,5	0,187	
Conformity to the norm <i>Conforme alle norme</i>			<input checked="" type="checkbox"/> ISO EN 22568:2 A					<input type="checkbox"/> ISO EN 22568:2 B		<input type="checkbox"/> ANSI/ASTM		<input type="checkbox"/> CSA		